

ActiveHeat Thermostat (5680) Datasheet

The ActiveHeat Thermostat is a temperature controller that can be used for floor and room heating. This smart device has a built-in room temperature sensor and a 3m floor sensor cable which ensure the temperature in a room stays within the users set requirements.

The thermostat also captures movement detection messages from the Helvar ActiveAhead Nodes within Bluetooth range and will turn to Comfort mode for 10 minutes whenever nearby Nodes detect movement. This optimises the energy consumption when there is no one nearby and prepares the space in time for the upcoming usage.

Control of the thermostat can be either manual or via Bluetooth by downloading the ecoControl app on a smartphone or tablet. Configured schedules will override the default automatic mode in which the space usage is followed via the nearby ActiveAhead Nodes.

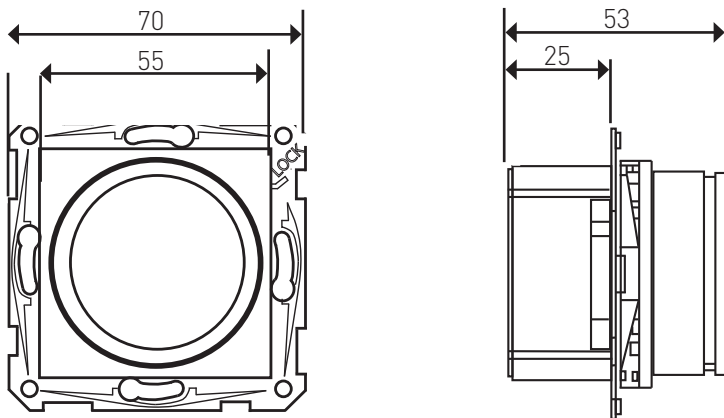
The ActiveHeat thermostat has an eco mode which will drop the temperature when the room or building is not occupied which saves energy and reduces costs.



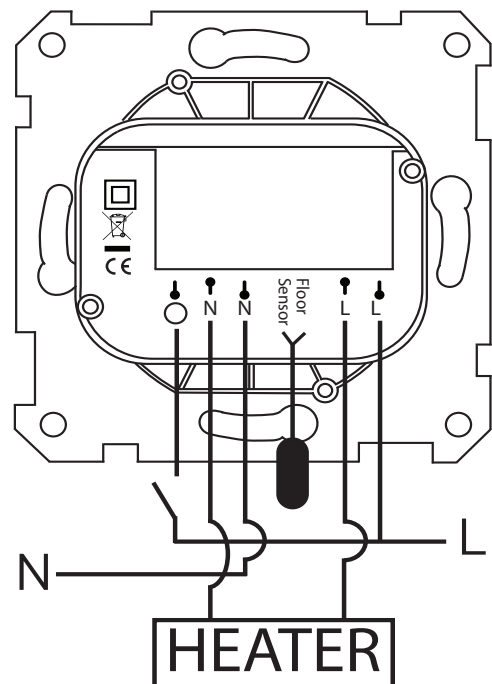
Key Features

- To optimise energy consumption, toggles automatically between Eco and Comfort temperatures based on the nearby movement detections from ActiveAhead Nodes.
- Rotary dial, ON/OFF switch, eco mode switch, input for external setback switch.
- Temperature range of 5°C to 35°C.
- Control manually or via Bluetooth (ecoControl app needed).
- 24 hour, 7 days a week scheduling can be created via app.

Dimensions (mm)



Wiring Setup



Technical Data

Connections

Terminals: For max 2,5mm² single or multi stranded conductor

Electrical Data

Power Supply: 230VAC +/-10%, 50Hz
 Lifetime (Relay): 100000 cycles
 Load: 16A 3600W resistive, relay NO contact

Wireless Connectivity

Technology: Bluetooth
 Version: 4.2

Mechanical data

Dimensions: Unit (excluding frame): 70mm × 70mm × 25mm
 Packaged: 110mm × 120mm × 80mm
 Material (casing): Fire-retardant PC/ABS blend
 Colour: RAL9016
 IP rating: IP21
 Weight: 0, 17kg
 Installation: CEE60 flush mounted wall box

Operating conditions

Ambient temperature: +5 °C to +40 °C
 Relative humidity: Max. 85 %, noncondensing
 Storage temperature: 0 °C to 50 °C
 Internal sensor: NTC, measuring range 5°C to 30°C
 External sensor: NTC, default 10kOhm, support for 2, 10, 12.5 , 15 and 33kOhm

Unit information

User interface: Rotary dial, ON/OFF switch, eco mode switch, input for external setback switch
 Parameter setting: Via Bluetooth connection on ecoControl app
 App range: 10m

Conformity and standards

EMC: EN 60730-1, ETSI EN 301 489-1, ETSI EN 301 489-17, EN 30028
 Safety: EN 60730-1, EN 60730-2-9, EN 62479
 Environment: Restriction of Hazardous Substances (RoHS) Directive 2011/65/EU
 Ecodesign Directive 2009/125/EC + 2015/1188/EU

Frame information

Inner dimensions: 55mm x55 mm
 Options: 55mmx55mm adapter for compatible e.g. Schneider Exxact, Elko Plus, ABB Impressivo and Jussi frames

ecoControl App



Use the ecoControl app to:

- Change settings.
- Set eco setting for when rooms are unoccupied for a period of time.

Note: Schedules created with the app override the automatic mode with the nearby ActiveAhead Nodes.

Screenshots

