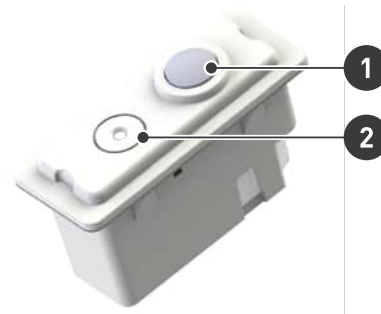


324D2 Multisensor DALI-2 R44

The 324D2 Multisensor is a luminaire-based DALI-2 sensor that combines a PIR sensor for movement detections and a light sensor for constant light output. This sensor complies to the DALI-2 parts 303 and 304 and follows the Zhaga Book 20 mechanical dimensions for a rectangular sensor which suits to a 44x17 mm slot on a luminaire.

This sensor can be used with a Helvar DALI-2 multi-master lighting control solution, such as the Helvar 950 Router.



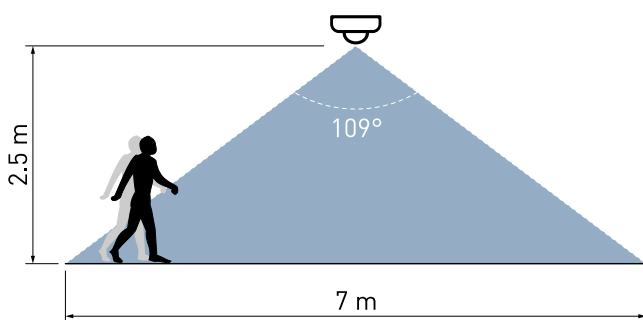
1. PIR sensor
2. Light sensor

Key Features

- Small luminaire based DALI-2 multisensor
- Fits to a standard Zhaga Book 20 based rectangular 44x17 mm luminaire slot
- 10 mA DALI current consumption
- DALI-2 certified input device

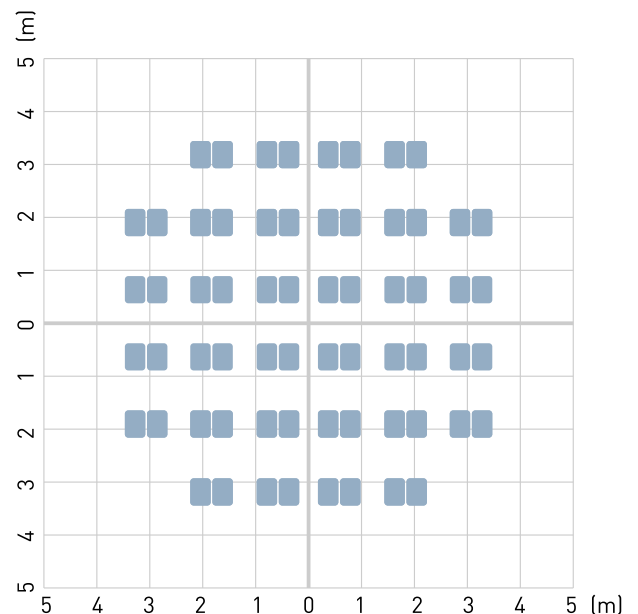
Detection

Detection Coverage



Max. recommended mounting height: 4 m

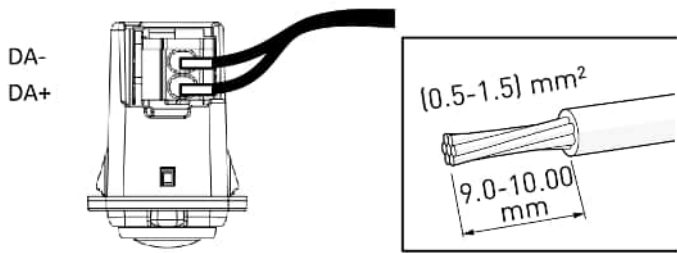
Detection Pattern



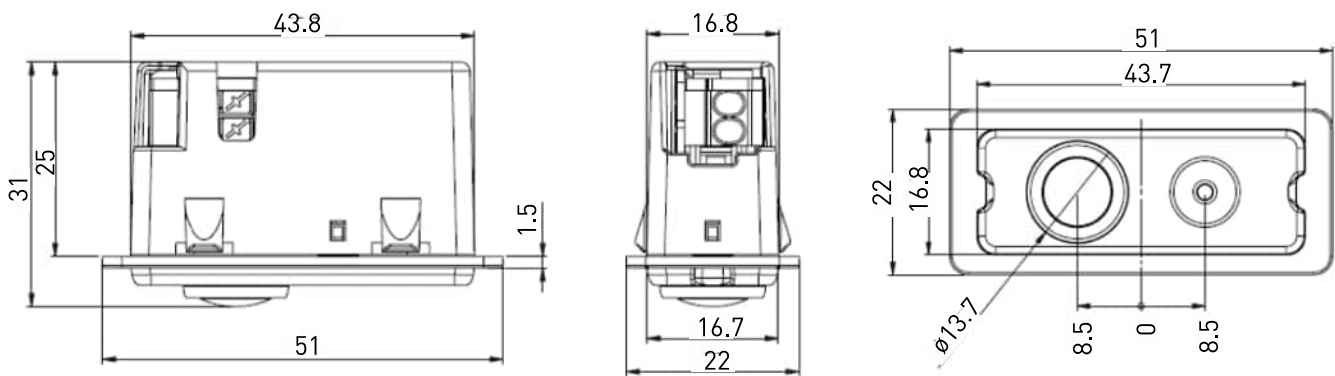
Detection Pattern at floor level for 2.5 m mounting height

Detection range and sensitivity depends on the speed and size of the moving object as well as its temperature difference to the surroundings. Moving directionally towards the sensor will give worse detection than crossing the detection area on an angle.

Connections



Dimensions (mm)



Technical Data

Connections

DALI:	Push-fit terminals for the DALI wires. Wire section: 0.5–1.5 mm ² , solid or stranded
Cable rating:	All cables must be mains rated.

Electrical Data

DALI supply input:	12–22.5 V
DALI consumption:	10 mA Max

Movement detection sensor

Technology:	Passive infrared (PIR) detects moving temperature differences
Detection coverage area:	38 m ² @ 2.5 m mounting height achieved with: 8 C° temperature difference to target 1.0 m/s movement speed 700 x 250 mm object size
Max. recommended mounting height:	4 m

Light sensor

Technology:	Closed loop reflected light
Illuminance:	5 lx to 5000 lx
Max. recommended mounting height:	3 m

Operating and storage conditions



Ambient temperature:	324D2, 324BD2: 0 °C to +50 °C 324PGD2: -20 °C to +50 °C
	Note: The temperature difference between the detection target and the background must be at least 4 °C.
	Note: Frost on lens may block the detection.

Relative humidity:	Max. 85 %, noncondensing
Storage temperature:	-20 °C to +70 °C

Mechanical data

Dimensions:	51 x 22 x 31 mm
Material (casing):	Fire-retardant PC/ABS blend
Colour:	White (9003), Black (9005) Grey (RAL 7035)
Weight:	14 g
IP rating:	324D2, 324BD2: IP30 324PGD2: IP65 front, IP20 back

Conformity and standards

Conformity:	 
EMC emission:	EN 55015
EMC immunity:	EN 61547
DALI:	IEC 62386, Parts 101, 103, 303 and 304
Safety:	EN 61347-2-11
Environment:	Complies with WEEE and RoHS directives.

Order code

324D2	Multisensor DALI-2 R44 White
324BD2	Multisensor DALI-2 R44 Black
324PGD2	Multisensor DALI-2 R44 IP, Grey
5695G	R44 Sensor Holder Batten Mount