

freeDim Sense (3034004) Installation Guide

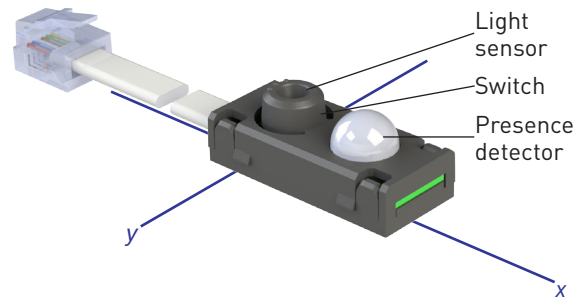


freedom in lighting

The freeDim Sense is a small luminaire-based sensor that combines a photocell for daylight harvesting control, a passive infrared presence detector and a switch.

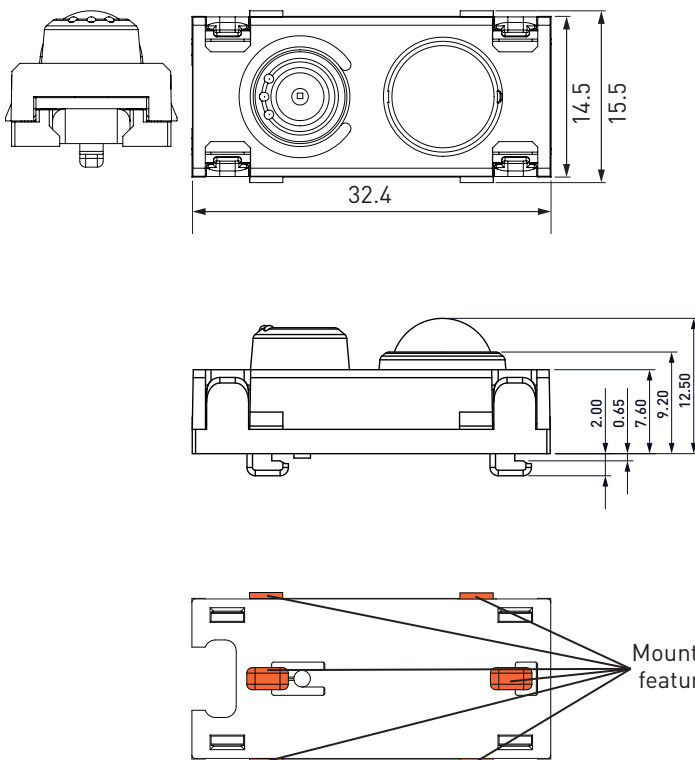
A short press of the switch resets the personal area network. Pressing the switch for 10 seconds performs a factory reset.

This standalone unit is part of Helvar's freeDim lighting solution, which provides personalised lighting control via mobile devices.

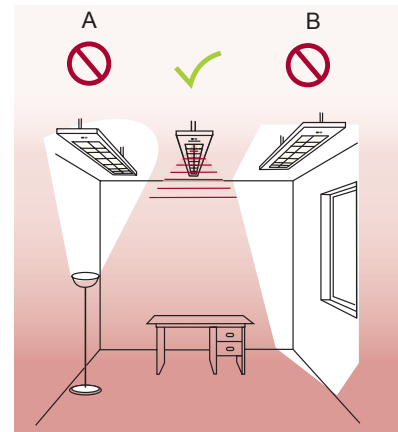


1. Features

Dimensions (mm)

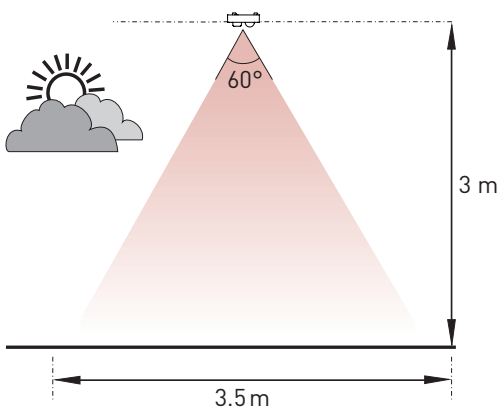


Recommended Location

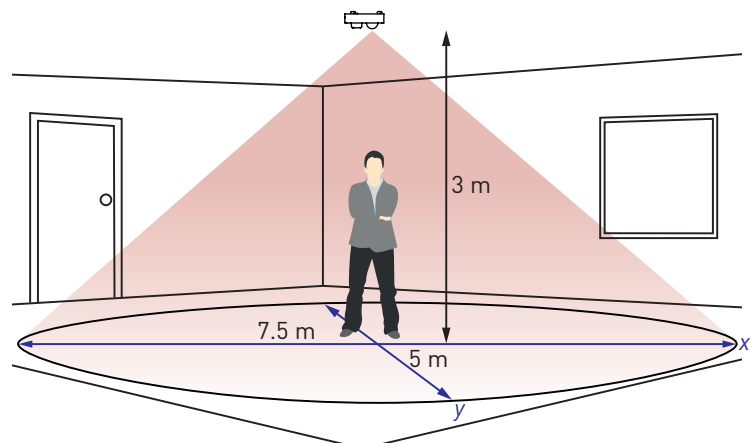


1. Do not place the sensor in direct line of artificial light sources, e.g. lamps or uplighters.
2. Do not place the sensor in direct sunlight.

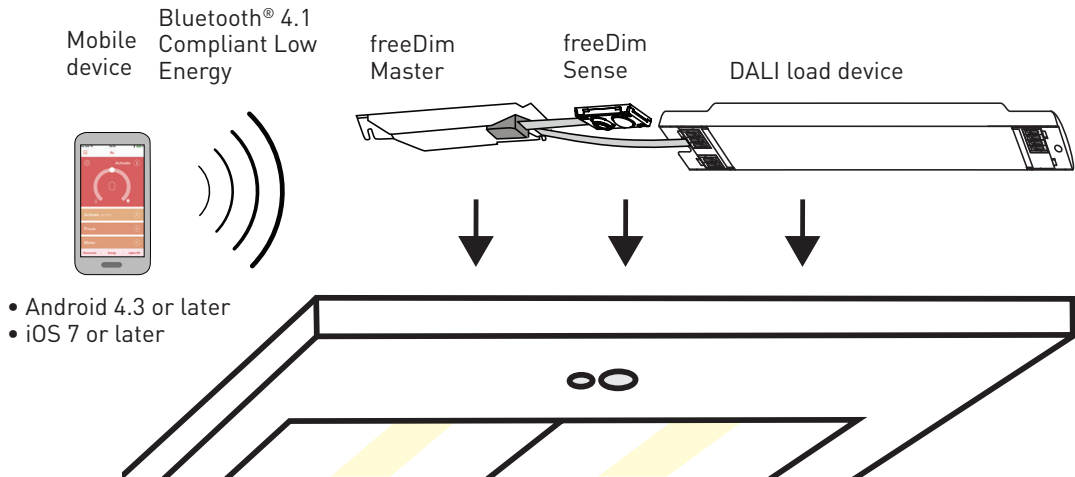
Daylight-Harvesting Sensor Coverage



Presence Detector Coverage



2. Connection



For information about the freeDim architecture, see the *freeDim User Guide*.

Bluetooth® is a registered trademark of Bluetooth SIG, Inc.



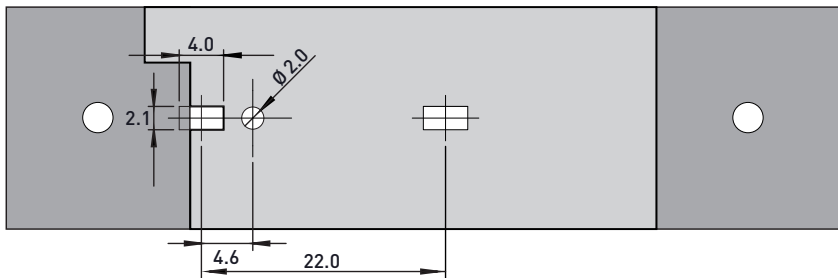
3. Mounting

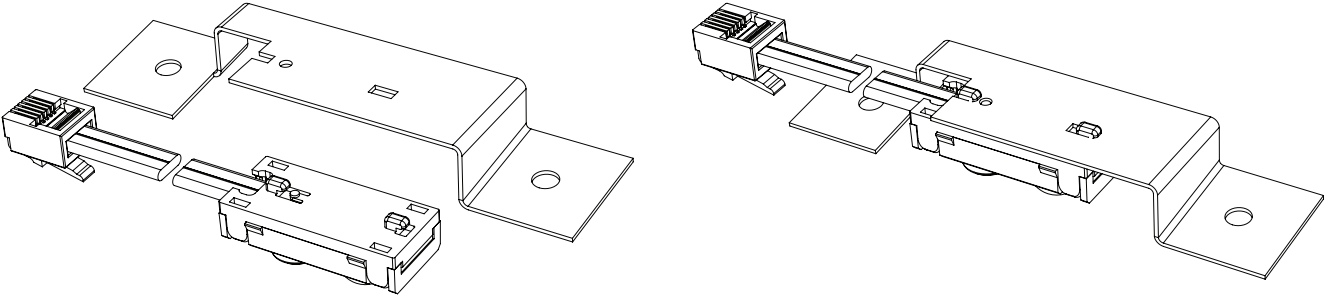
The following figures show two of several possible methods of mounting the freeDim Sense in a luminaire. In both cases, the sensor is mounted to 22 swg (0.7 mm) sheet metal:

- Option 1 uses the mounting features on the rear of the sensor.
- Option 2 uses the mounting features on the long sides of the sensor.

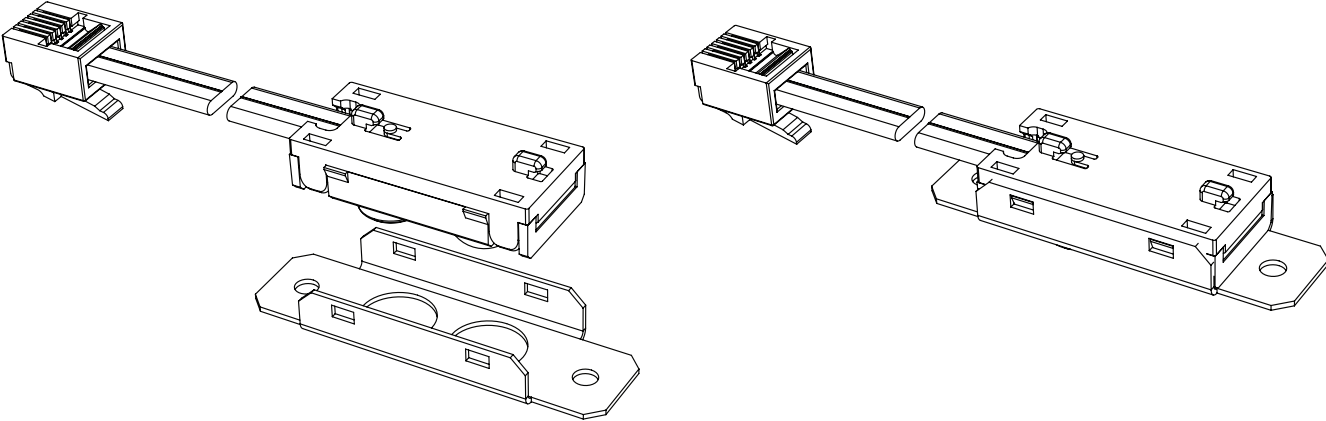
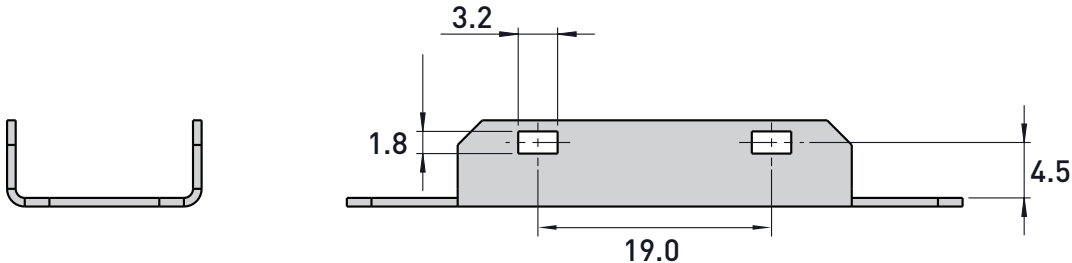
The mounting features can be used to provide customised mounting solutions. The example shown are for guidance only. Mounting brackets are not supplied.

Option 1

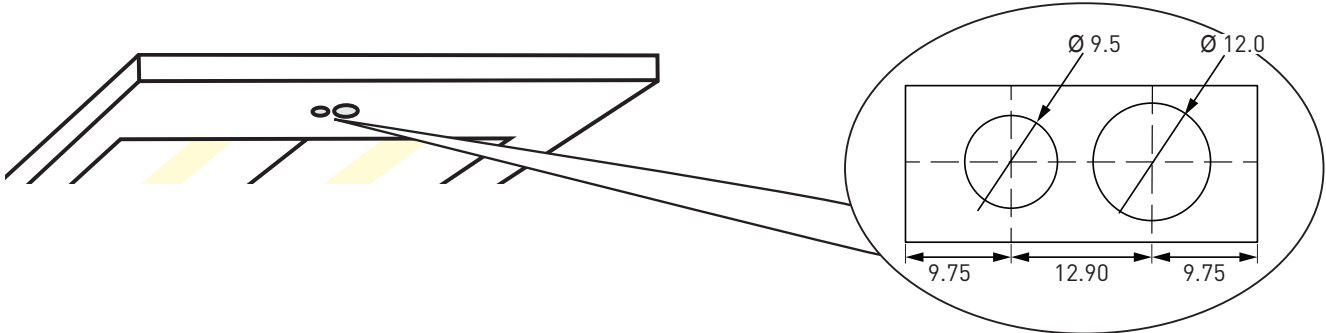




Option 2



Luminaire



Technical Data

Connections

freeDim: 80 cm flexible cable terminated with a six-way modular plug.

Mechanical data

Dimensions: 32.4 mm × 15.5 mm × 14.5 mm

Material (casing): Fire-retardant polycarbonate

Colour: Grey (RAL 9006)

IP code: IP30

Weight: 22 g

Operating conditions

Ambient temperature: 0 °C to +50 °C
Note: The temperature difference between the detection target and the background must be at least 4°C.

Relative humidity: Max. 90 %, noncondensing

Storage temperature: -40 °C to +80 °C

Illuminance: 5 lx to 5000 lx

Conformity and standards

EMC Emission: EN 55015

EMC Immunity: EN 61547

Safety: EN 61347-2-11

Environment: Complies with RoHS directive.