

5635 Multisense R44

The 5635 Multisense R44 is a Helvar Freedom luminaire-based sensor which can be used with wireless control solutions; such as, the Helvar ActiveAhead®. 5635 Multisense combines a PIR sensor for movement detections and a light sensor for daylight harvesting. This sensor follows the Zhaga Book 20 mechanical dimensions for a rectangular sensor which suits to a 44 x 17 mm slot on a luminaire. The front side of the 5635 Multisense IP sensor is IP65 rated allowing it to be used in applications such as parking garages.

A Helvar Freedom connecting cable of a chosen length is required to connect this sensor to a Node. This sensor can be used on the wireless self-learning lighting control solution Helvar ActiveAhead.

If the sensor is connected to non-SELV control gear, the luminaire must be Class I.



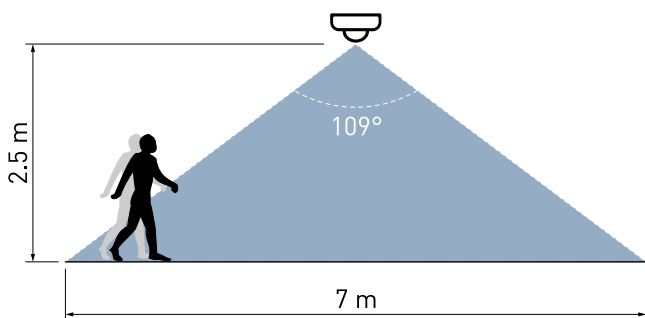
1. PIR sensor
2. Light sensor

Key features

- Small Helvar Freedom luminaire based multisensor for wireless lighting solutions
- Fits to a standard Zhaga Book 20 based rectangular 44 x 17 mm luminaire slot
- IP65 rated front side
- Select a Helvar Freedom connecting cable length of choice

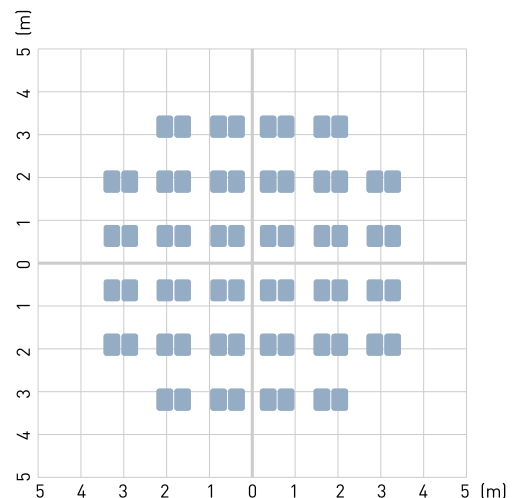
Detection

Detection Coverage



Max. recommended mounting height: 4 m

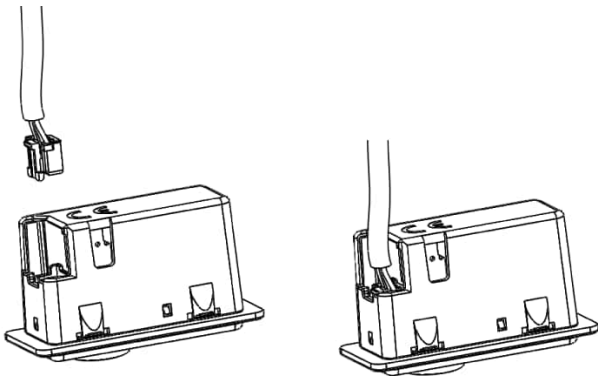
Detection Pattern



Detection Pattern at floor level for 2.5 m mounting height

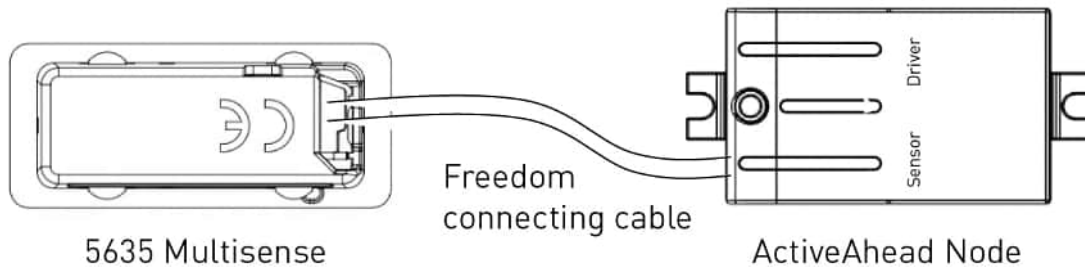
Detection range and sensitivity depends on the speed and size of the moving object as well as its temperature difference to the surroundings. Moving directionally towards the sensor will give worse detection than crossing the detection area on an angle.

Connections

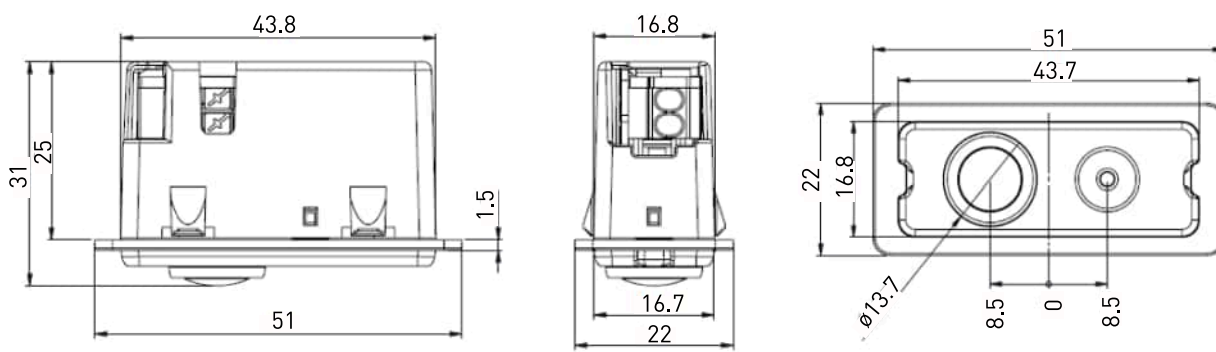


5635 Multisense has a connector for the Freedom connecting cable.

Picture below presents how a 5635 Multisense is connected to an ActiveAhead Node with a Freedom connecting cable.



Dimensions (mm)



Technical Data

Connections

Freedom: Connector for the Freedom connecting cable.

Note: If the sensor is connected to non-SELV control gear, the luminaire must be Class I. Cable length must not exceed 150 cm.

Electrical data

Input voltage: 3.0–3.6 V provided by Freedom Node

Max. power consumption: 36 mW

Movement detection sensor

Technology: Passive infrared (PIR) detects moving temperature differences

Detection coverage area: 38 m² @ 2.5 m mounting height achieved with:

- 8 C° temperature difference to target
- 1.0 m/s movement speed
- 700 x 250 mm object size

Max. recommended mounting height: 4 m

Light sensor

Technology: Closed loop reflected light

Illuminance: 5 lx to 5000 lx

Max. recommended mounting height: 3 m

Operating and storage conditions

Operating temperature: -20 °C to +50 °C

Note: The temperature difference between the detection target and the background must be at least 4 °C.

Relative humidity: Max. 85 %, noncondensing

Storage temperature: -20 °C to +70 °C

Mechanical data

Dimensions: 51 mm x 22 mm x 31 mm

Material (casing): Fire-retardant PC/ABS blend

Colour: White (RAL 9003)
Grey (RAL 7035)

IP rating: IP65 front, IP20 back

Weight: 11 g

Conformity and standards

Conformity: 

EMC emission / immunity: EN 55015 / EN 61547

Safety: EN 61347-2-11

Environment: Complies with WEEE and RoHS directives.

Order codes

5635P	Multisense R44 IP White
5635PG	Multisense R44 IP Grey
5695G	Holder Batten R44 Grey