

# SBB Surface Mounting Boxes

The surface mounting boxes are designed to help the installation of Helvar DALI lighting system sensors.

SBB-A (White), SBB-AB (Black)

Compatible with the following products:

- 311M PIR Detector
- 313 Low profile Microwave Detector
- 317M High Bay PIR Presence/ Absence Detector



SBB-B (White)

Compatible with the following products:

- 314 Tilting Microwave Detector



SBB-E (White), SBB-EB (Black)

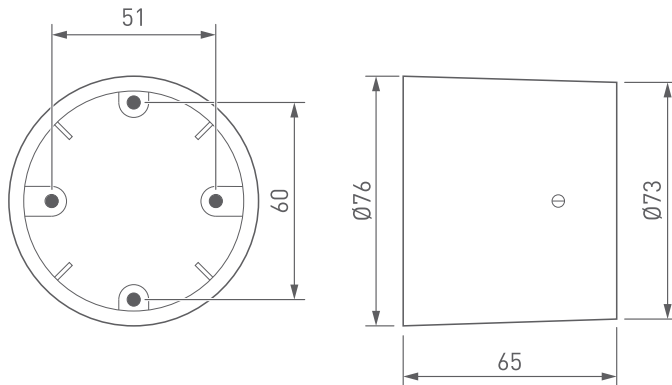
Compatible with the following products:

- 320 & 320P Occupancy Sensors
- 321 & 321P Multisensor
- 322 High Bay Multisensor
- 331 Multisensor
- 3901 Environmental Sensor

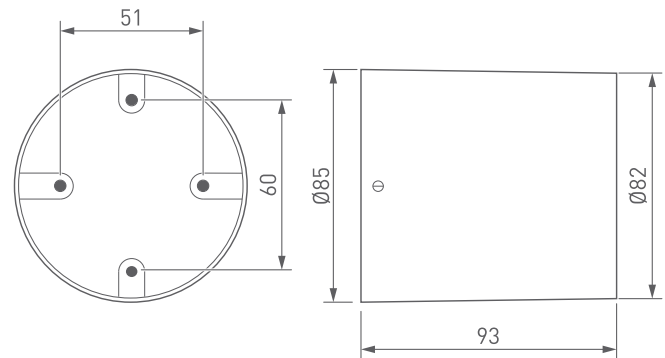


## Dimensions (mm)

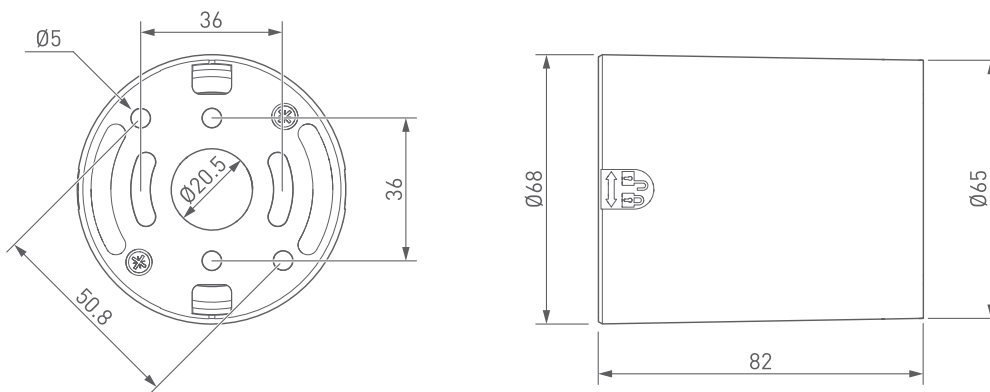
SBB-A, SBB-AB



SBB-B



SBB-E, SBB-EB



## Technical data

### Mechanical data

Dimensions (mm):	SBB-A, -AB: $\varnothing 76 \times 65$ SBB-B: $\varnothing 85 \times 93$ SBB-E, -EB: $\varnothing 68 \times 82$
Material specifications:	PC-FR
Colour:	White (RAL 9003) Black (Grey) (RAL 7016)
Weight:	SBB-A, -AB: 50 g, SBB-B: 60 g SBB-E, -EB: 88 g

### Operating and storage conditions

Ambient temperature:	-20 °C to +50 °C
Relative humidity:	Max. 90 %, noncondensing
Storage temperature:	-40 °C to +80 °C

### Conformity and standards

Conformity:	
Environment:	Complies with RoHS directive.