

490 2-Channel Blinds Controller

The 2-Channel Blinds Controller is a DALI-compatible interface unit that allows control of blinds and curtains in a DIGIDIM lighting control system. The blinds controller is a DIN-rail mounted unit that provides two independent control channels, each with two single-pole, volt-free contacts for switching up to 550 W up/down or power direction motors from a DIGIDIM system.

The unit has a status LED, a physical selection switch and relay-state indicators. The status LED provides status and a fault indication. The physical selection switch is used to identify the device during system configuration. The relaystate indicator LEDs are illuminated when the respective relay is closed.



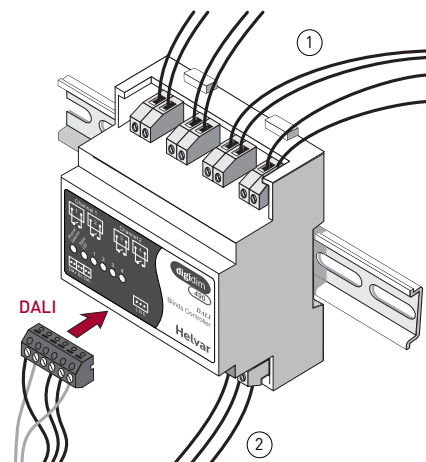
Note: This unit does not contain a DALI power supply. Therefore, one must be present elsewhere in the system.



Key Features

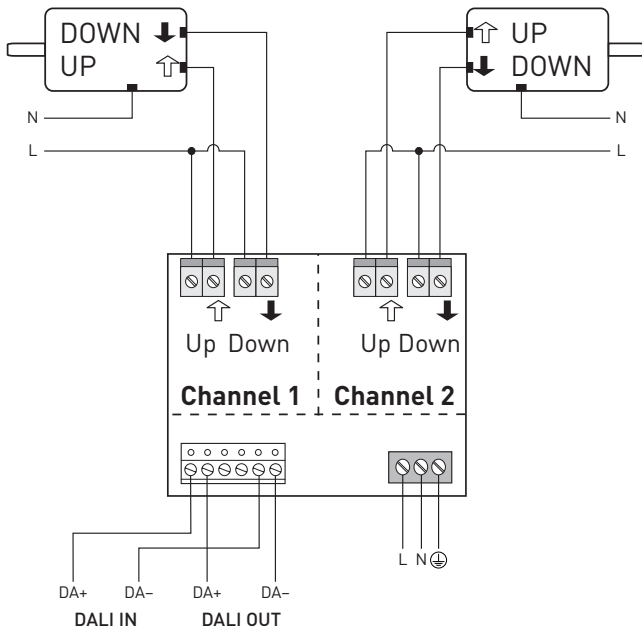
- Up/Down mode operates in a 'Break before Make' manner to prevent motor damage.
- Relays are internally isolated permitting separate mains phases to be used for each control channel.
- All DALI functions are programmed with either DIGIDIM Toolbox or Designer software.
- DIN-rail mounted and only 88 mm wide.

Connection details

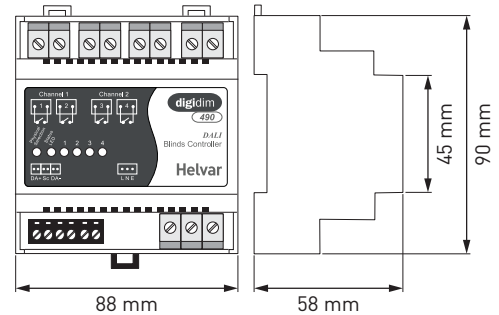


1. Load wiring
2. Supply wiring

Connections



Dimensions (mm)



Technical Data

| Connections | |
|--------------------------------------------------------------------------------------------------------------------------------|-------------------------------------------------------------------------------------------------------|
| DALI: | Standard DIGIDIM removable terminal block 0.5 mm ² – 1.5 mm ² solid or stranded |
| Mains: | Up to 4 mm ² solid core or up to 2.5 mm ² stranded |
| Note: If equipment is used in an electrically noisy environment, the DALI cable should be screened and connected to the earth. | |

| Electrical data | |
|-------------------|----------------------------------|
| Mains supply: | 220 VAC – 240 VAC, 50 Hz – 60 Hz |
| DALI consumption: | 2 mA |

| Relay load | |
|-------------|------------|
| Motor load: | 550 W max. |

| Operating and storage conditions | |
|----------------------------------|--------------------------|
| Ambient temperature: | 0 °C to +40 °C |
| Relative humidity: | Max. 90 %, noncondensing |
| Storage temperature: | -10 °C to +70 °C |

| Mechanical data | |
|-----------------|-----------------------------------------------------------|
| Dimensions: | 88 mm × 90 mm × 58 mm |
| Housing: | DIN-rail case 88 mm wide |
| Weight: | 300 g |
| Mounting: | DIN rail (installation in switchgear/controlgear cabinet) |
| IP rating: | IP30 (IP00 at terminals) |

| Conformity and standards | |
|--------------------------|-----------------------------------------|
| Conformity: | |
| EMC emission: | EN 55015 |
| EMC immunity: | EN 61547 |
| Safety: | EN 61347-2-11 |
| Isolation: | 4 kV |
| Environment: | Complies with WEEE and RoHS directives. |