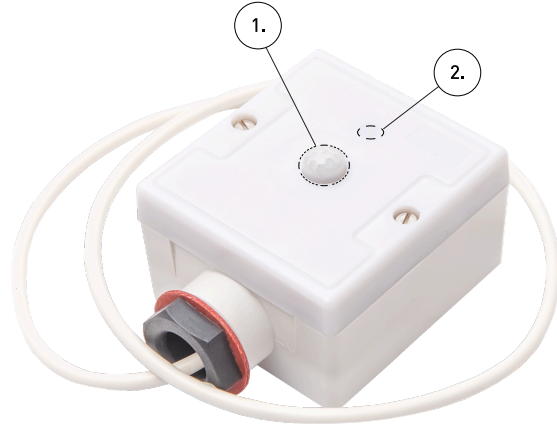


5632 Freedom Sense Outdoor

Freedom luminaire-based sensor Series

Product code: 5632020

- Robust luminaire-based sensor that combines a constant light sensor and a passive infrared movement detector.
- Can be used with Helvar Freedom driver + Node solutions when the control system supports it.
- Rugged polycarbonate housing with IP65 rating to suit various environments.
- Easy-to-seal external installation to luminaire enclosure.



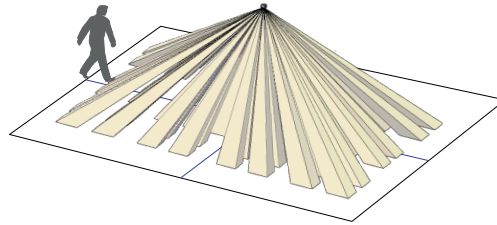
1. Presence detector
2. Light sensor

Key Features

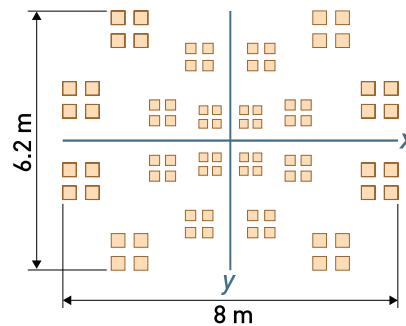
- Luminaire-based presence and ambient-light detection for smart solutions.
- Unlock the full lighting comfort and energy saving potential in your luminaire.
- IP65 protected sturdy sensor housing.
- The cable exits the housing from the side through a threaded entry bush, providing a method of sealing a connection to a luminaire enclosure.
- Compatible with the following Freedom wireless lighting control solutions: ActiveAhead, Casambi, Mount Kelvin and Mymesh by Chess.

Detection

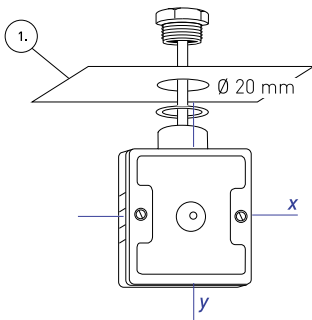
Presence Detection Coverage at 2.5 m Height



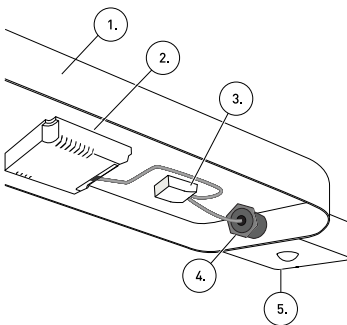
Detection pattern at floor level for 2.5 m mounting height



Mounting

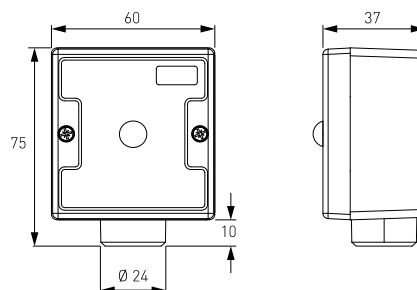


1. Luminaire casing



1. Luminaire casing
2. Freedom LED driver
3. Freedom node
4. Mounting brush
5. Freedom Sense Outdoor

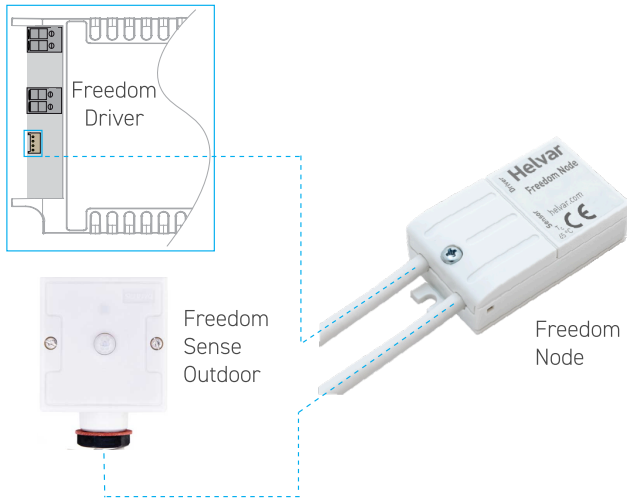
Dimensions (mm)



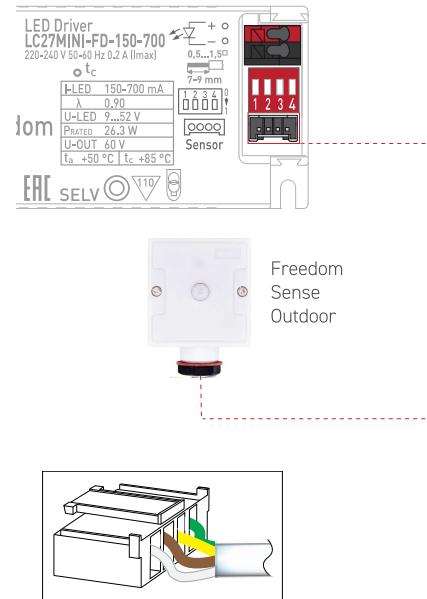
Connection

There are two set up scenarios:

Case 1 - Connection with Freedom driver and separate Freedom Node



Case 2 - Connection to Freedom driver with integrated radio unit (e.g. LC27MINI-FD-150-700, LL4-CV-FD)



Note: Ensure each connector securely 'clicks' into place when plugged in correctly!

Technical Data

Connections	
Freedom solution:	80 cm flexible cable terminated with a four-way, 2 mm locking connector. Note: If the sensor is connected to non-SELV control gear, the luminaire must be Class I.

Electrical data	
Power consumption:	3.3 V; 5 mA max.

Operating conditions	
Ambient temperature range:	-25...+50 °C Note: The temperature difference between the detection target and the background must be at least 4 °C.
Relative humidity:	Max. 90 %, noncondensing
Storage temperature:	-25...+70 °C

Detection and mechanical data	
Max. recommended mounting height:	3 m
Presence detection coverage area:	42.2 m ² @ 2.5 m mounting height
Dimensions:	60 mm x 75 mm x 37 mm
Mounting hole:	20 mm
Material (casing):	Fire-retardant polycarbonate
Colour:	White (RAL 9003)
Ingress protection rating:	IP65
Weight:	92 g (with attached cable)

Conformity and standards	
Conformity:	
EMC emission:	EN 55015
EMC Immunity:	EN 61547
Safety:	EN 61347-2-11
Compliant with relevant EU directives, CE marked, RoHS compliant	