

## 322, 322B High Bay Multisensor

Automatically control lighting loads at heights that are too high for general sensors.

The High Bay Multisensor is a compact unit that provides energy-saving functions in DALI applications where mounting heights are too high for standard sensors, such as warehouses and factories.

Sealed with a gasket that protects it from dust and water, this IP65 sensor is designed to be recessed in a ceiling void or in a luminaire construction.

Since its detection sensitivity is less dependent on movement direction than that of most PIR sensors, fewer units are required to reliably cover a target area.

The unit features:

- A passive infrared detector (PIR), which detects movement within its coverage area, allowing load control in response to changes in space occupancy. The sensor switches the lights on when its coverage area is occupied, and off when it is unoccupied.
- A light sensor, which provides a bright-out function. The sensor can be programmed in Designer to switch off the lights when the natural light rises above a predefined illuminance threshold.

The High Bay Multisensor is compatible with Helvar's lighting systems and configuration software, Designer and Toolbox.



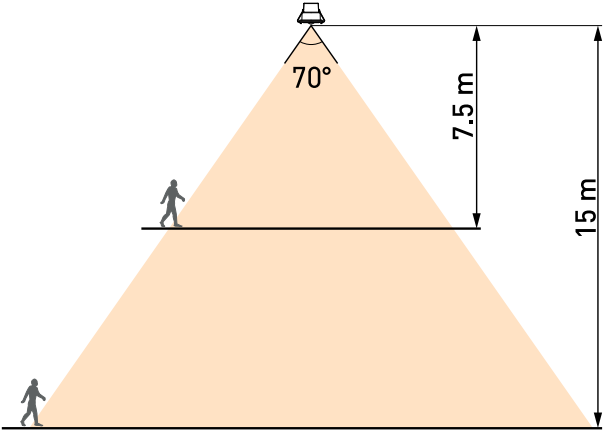
1. PIR sensor
2. Status LED
3. Light sensor

## Key Features

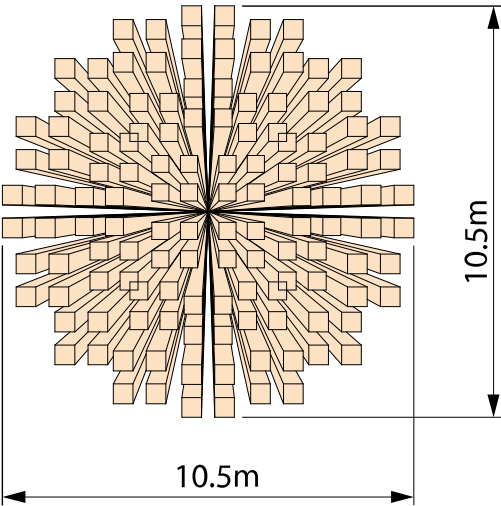
- Excellent detection performance through high sensitivity and multidirectional coverage
- Suitable for applications with very high ceilings
- Protected against dust and water (IP65)
- Programmable bright-out control for energy efficiency (only available on a lighting router system)
- Simple connection and integration into a Helvar DALI control network
- Programmable in Designer and Toolbox

# Detection

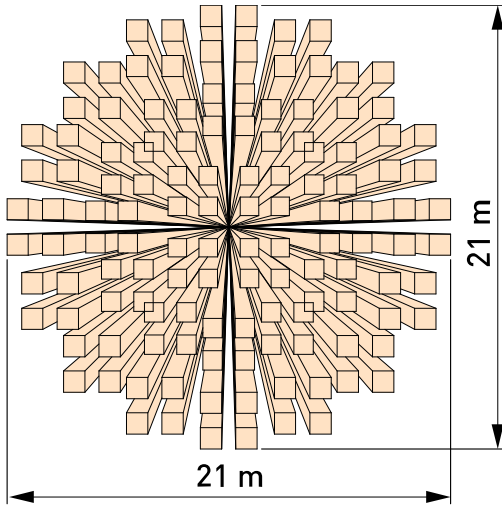
## Detection Coverage



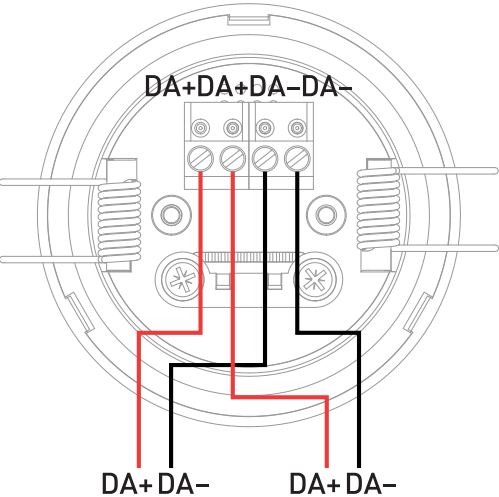
## Detection pattern at 7.5 m height



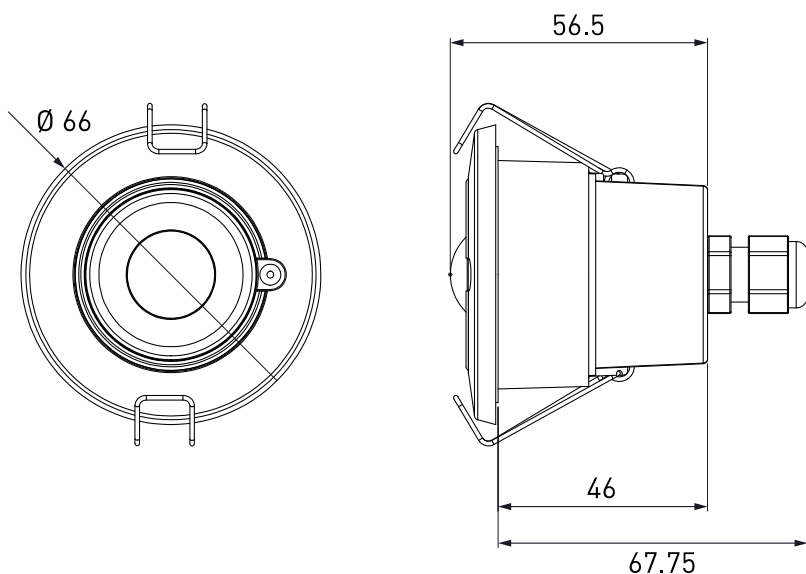
## Detection pattern at 15 m height



# Connections



## Dimensions (mm)



## Technical Data

### Connections

DALI:	Removable connector block Wire section: 0.5–1.5 mm <sup>2</sup> , solid or stranded
Cable rating:	All cables must be mains rated.

### Electrical Data

DALI supply input:	12–22.5 V
DALI consumption:	10 mA Max

### Sensors

Light sensor:	For bright-out function
Presence detector:	Passive infrared (PIR)

### Operation

Start-up time:	≤1 sec
----------------	--------

### Mechanical data

Recommended mounting height:	Max. 17 m
Presence detection coverage area:	346 m <sup>2</sup> @ 15 m mounting height 87 m <sup>2</sup> @ 7 m mounting height
Mounting hole diameter:	51 mm +/- 1 mm
<b>Note:</b> If replacing an older sensor, 52–55 mm mounting hole is acceptable.	
Ceiling thickness:	Maximum 25 mm
Bezel diameter:	66 mm
Recommended clearance depth:	12 cm (with cable cover, including 5 cm for cabling)
Dimensions:	66 x 67.75 mm
Material (casing):	Flame retardant PC/ABS
Finish/Colour:	322: Semi-matt / White RAL 9003 322B: Semi-matt / Anthracite grey RAL 7016
Weight:	70 g
IP rating:	IP65

## Operating and storage conditions

Ambient temperature:	0 °C to +50 °C
Relative humidity:	Max. 90 %, noncondensing
Storage temperature:	-10 °C to +70 °C

## Conformity and standards

Conformity:	
EMC emission:	EN 55015
EMC immunity:	EN 61547
Safety:	EN 61347-2-11
Environment:	Complies with WEEE and RoHS directives.

## Compatibility

Designer:	5.4.2 or later
Toolbox:	2.5.0 or later