

# 325D2 Multisensor High Bay DALI-2 R60

The 325D2 Multisensor High Bay is a luminaire-based DALI-2 sensor that combines a PIR sensor for movement detections and a light sensor for constant light output. This sensor complies to the DALI-2 parts 303 and 304 and follows the Zhaga Book 20 mechanical dimensions for a rectangular sensor which suits to a 60 mm x 22 mm slot on a luminaire.

This sensor can be used with a Helvar DALI-2 multi-master lighting control solution, such as the Helvar 950 Router.



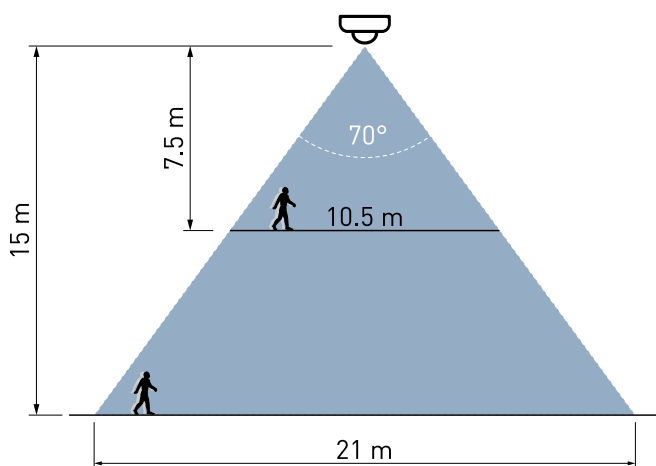
1. PIR sensor
2. Light sensor

## Key Features

- Small luminaire based DALI-2 high bay multisensor
- Fits to a standard Zhaga Book 20 based rectangular 60 mm x 22 mm (+/- 0.2 mm tolerance) luminaire slot
- 10 mA DALI current consumption
- DALI-2 certified input device

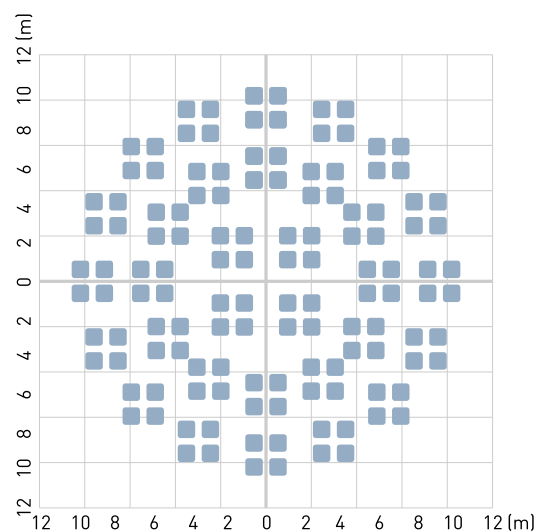
## Detection

### Detection Coverage



Max recommended mounting height: 17 m

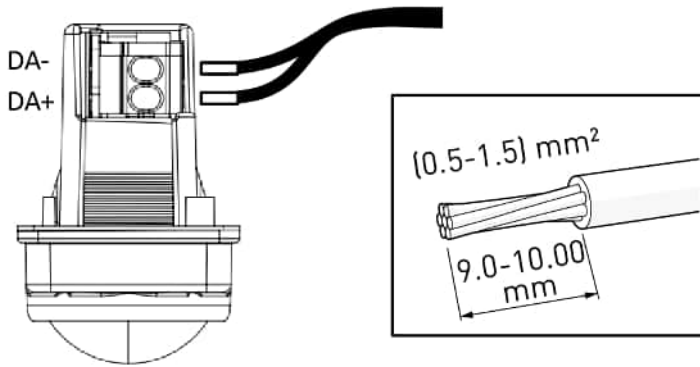
### Detection Pattern



Detection Pattern at floor level for 15 m mounting height

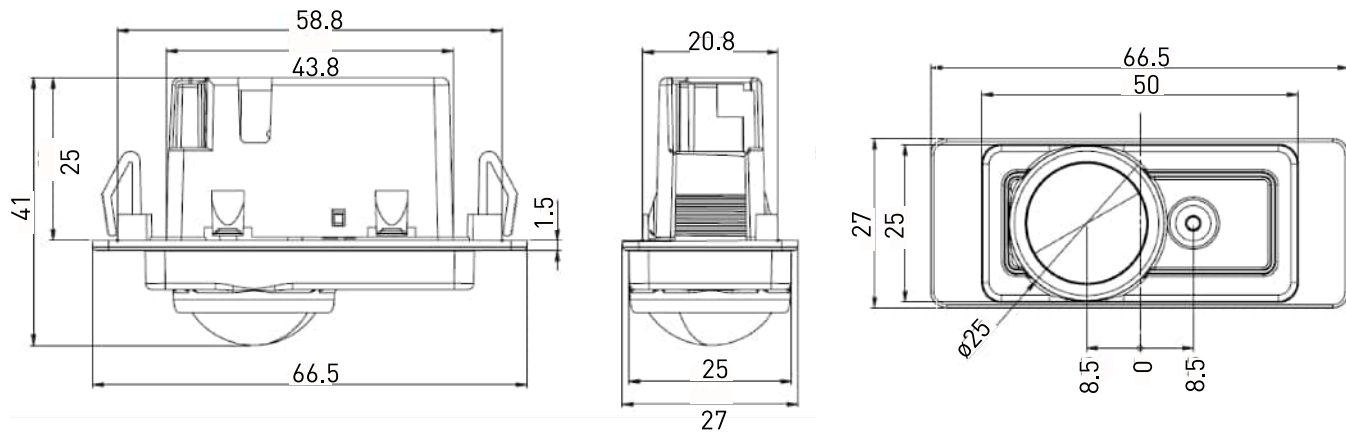
Detection range and sensitivity depends on the speed and size of the moving object as well as its temperature difference to the surroundings. Moving directionally towards the sensor will give worse detection than crossing the detection area on an angle.

# Connections



Note: To remove DALI wiring, press down the release buttons.

# Dimensions (mm)



# Technical Data

## Connections

DALI:	Push-fit terminals for the DALI wires. Wire section: 0.5–1.5 mm <sup>2</sup> , solid or stranded
Cable rating:	All cables must be mains rated.

## Electrical Data

DALI supply input:	12–22.5 V
DALI consumption:	10 mA Max

## Movement detection sensor

Technology:	Passive infrared (PIR) detects moving temperature differences
Detection coverage area:	346 m <sup>2</sup> @ 15 m mounting height  87 m <sup>2</sup> @ 7 m mounting height achieved with: 8 C° temperature difference to target 1.0 m/s movement speed 700 x 250 mm object size
Max. recommended mounting height:	17 m

## Light sensor

Technology:	Closed loop reflected light
Illuminance:	5 lx to 5000 lx



## Operating and storage conditions

Ambient temperature:	-20 °C to +50 °C
	<b>Note:</b> The temperature difference between the detection target and the background must be at least 4 °C.
	<b>Note:</b> Frost on lens may block the detection.
Relative humidity:	Max. 85 %, noncondensing
Storage temperature:	-20 °C to +70 °C

## Mechanical data

Dimensions:	66.5 x 27 x 41 mm
Material (casing):	Fire-retardant PC/ABS blend
Colour:	Grey (RAL 7035)
Weight:	19 g
IP rating:	IP65 front, IP20 back

## Conformity and standards

Conformity:	 
EMC emission:	EN 55015
EMC immunity:	EN 61547
DALI:	IEC 62386, Parts 101, 103, 303 and 304
Safety:	EN 61347-2-11
Environment:	Complies with WEEE and RoHS directives.

## Order code

325GD2	Multisensor DALI-2 R60 High Bay, Grey
5696G	R60 Sensor Holder Batten Mount