

## LED Module Cover Series

- LMC series provide both electrical and mechanical protection
- Prevents direct touch of the module parts
- Suitable for SELV and non-SELV applications
- Perfect fit for Helvar iC and LS modules
- Diffusing materials for glare reduction and even light distribution
- High light transmittance
- Screwable and robust mounting parts



### LMC COVERS

IEC Halogen free



	Cover variants available	Cover product code	Light transmittance	Cover material	Length	Fixing parts required per set	Module compatibility
LMC-587	LMC-587-C	5194100	90%	Clear polycarbonate	587 mm	8	1 X LS-562 (or 2 X LS-282 / L-iC-282)
	LMC-587-O	5194000	90%	Opal polycarbonate			
	LMC-587-MO	5194200	75%	Matt opal polycarbonate			
LMC-1147	LMC-1147-C	5193100	90%	Clear polycarbonate	1147 mm	18	2 X LS-562 (or 4 X LS-282 / L-iC-282)
	LMC-1147-O	5193000	90%	Opal polycarbonate			
	LMC-1147-MO	5193200	75%	Matt opal polycarbonate			
LMC-1427	LMC-1427-C	5192100	90%	Clear polycarbonate	1427 mm	23	2 X LS-562 + 1 X LS-282 (or 5 X L-iC-282)
	LMC-1427-O	5192000	90%	Opal polycarbonate			
	LMC-1427-MO	5192200	75%	Matt opal polycarbonate			
CUSTOM	Clear, opal or matt opal cover in custom length	-	90% / 75%	Clear, opal, matt opal polycarbonate	Custom	Custom	Custom

### LMC MOUNTING PARTS

	Mounting part variants	Cover product code	Details	Mounting part material	Size (mm)	Required per set
END CAPS	LMC-EC-W	5197000	End cap, white	White polycarbonate + ABS	32 x 23 x 21,4	2
	LMC-EC-C	5197100	End cap, clear	Clear polycarbonate	32 x 23 x 21,4	2
FIXING PARTS	LMC-FX-S	5195100	Fixing part, screwable	Clear polycarbonate	22 x 10.6 x 3,5	Depends on set length

## MATERIALS

### Polycarbonate

Clear  
Opal

### Polycarbonate + ABS blend

White

### Material Specifications

UV protected	Yes
Ball pressure test passed at	125 °C (IEC 60695-10-2)
Glow-wire flammability test (GWFI) passed at	650 °C (IEC 60695-2-12)
Halogen free according to	IEC 61249-2-21

### Operating & Storage Conditions

Operating temperature range	0...+50 °C
Storage temperature range	-20...+80 °C
Assembly temperature range	+5...+30 °C
Do not store in wet or humid environment!	

Without any additional sealing, cover itself cannot be used to provide higher classification against ingress of dust or moisture than IP20.

Suitable to use with module operating voltages up to 400 V.

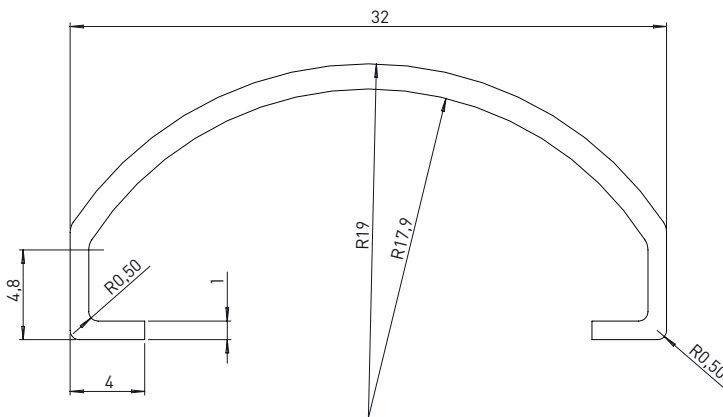
### Conformity & Standards

Luminaires - Part 1: General requirements and tests	IEC 60598-1:ed.8 2014 EN 60598-1:2015
Luminaires - Part 2: Particular requirements. Section One: Fixed general purpose luminaires	IEC 60598-2-1:ed.1 1979 + A1:1987 EN 60598-2-1:1989

Compliant with relevant EU directives, CE marked, RoHS/REACH compliant

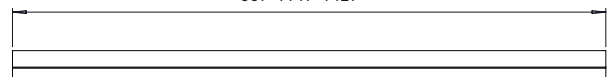
## Dimensions

### LMC COVERS



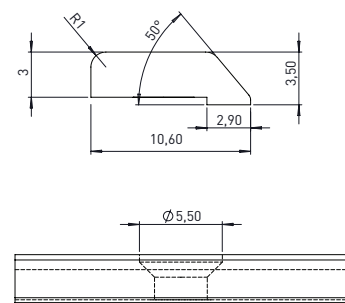
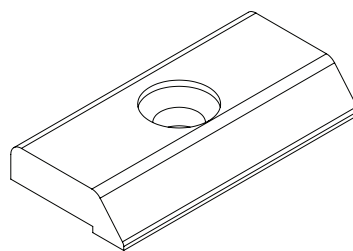
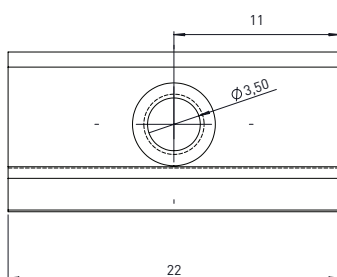
### COMMON DIMENSIONS

587-1147-1427



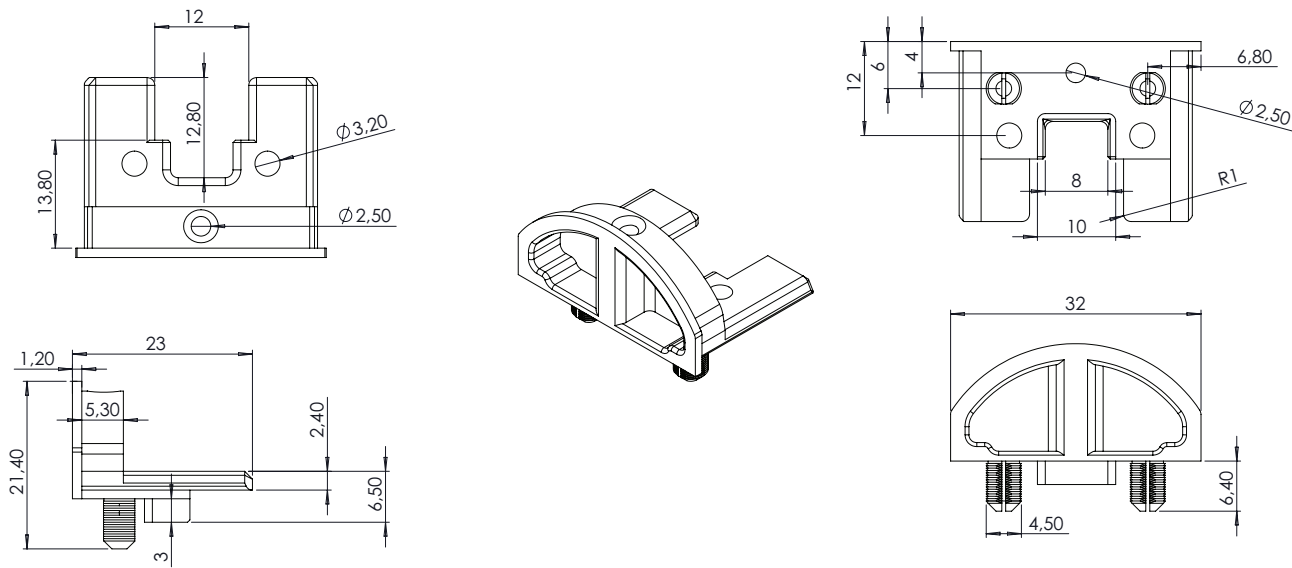
Tolerance for dimensions  $\pm 0,1$  mm

### LMC-FX-S FIXING PART, SCREWABLE



Tolerance for dimensions  $\pm 0,1$  mm

## LMC-EC-C/W END CAPS



Tolerance for dimensions  $\pm 0,1$  mm

## SCREW RECOMMENDATIONS

		Installation to metallic frame, hole with threads	Installation to metallic frame, hole without threads	Installation to plastic frame
Countersunk screws	Type	DIN 965 ZN PZ	DIN 7500M ZN PZ	WN 1423 ZN
	Dimensions	M3	M3	3
Pan head screws	Type	DIN 7985 ZN	DIN 7500C BN2723 ZN	WN 1412 ZN
	Dimensions	M3	M3	KA3

Refer to the applicable recommendations of the hole dimensions according to the screw type used in the installation.

## ASSEMBLY INSTRUCTIONS

Please refer to separate Installation guide, available on product website's Download & Links section, for instructions of how to install the LMC covers onto Helvar iC and LS modules.