

# 25x Australian-Style Frame Kit

The 25x Series is a customisable DALI-compatible range of frame kits (frame and grid) for Helvar 12x and 13xx control modules. Mounted with spring clips for concealed fixing, the 25x panels are designed to fit Australian standard back boxes and C-clip brackets.

## Key Features

- Compatible with any of Helvar 12x and 13xx panel modules, including customisable versions.
- Available in a range of finishes and colours.

## Finishes

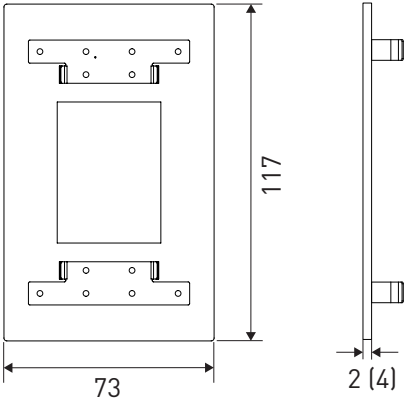
The frames are available in the following finishes:

Finish	Product Code
Stainless steel frame	252 S
White glass	256 S
Black glass	257 S

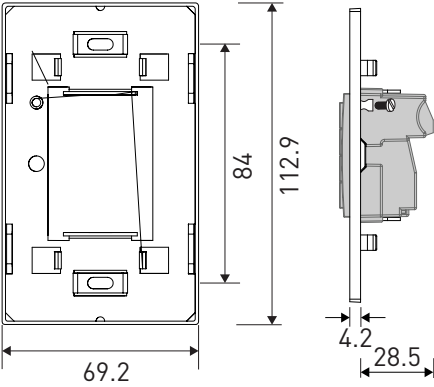


# Dimensions (mm)

Frame



Grid and gasket



# Technical Data

Dimensions	
Stainless steel frame:	73 mm × 117 mm × 2 mm
Glass frame:	73 mm × 117 mm × 4 mm
Grid:	69.2 mm × 112.9 mm × 4.2 mm

Weight	
Grid – Net weight:	5.4 g
Stainless steel frame – Net weight:	6.8 g
Glass frame – Net weight:	7 g
Stainless steel frame kit – Shipping weight:	17.2 g
Glass frame kit – Shipping weight:	18 g