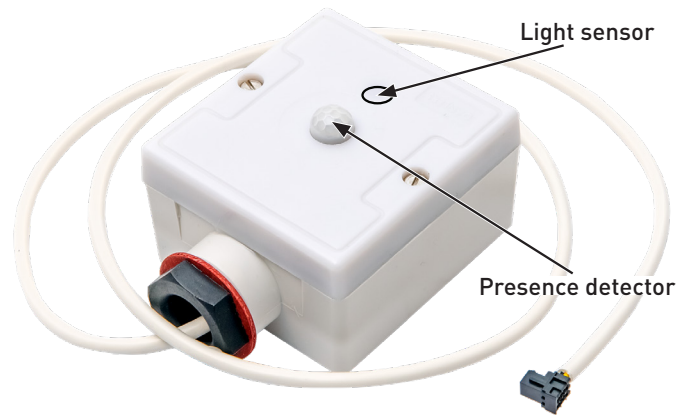


ActiveAhead Sense Outdoor (3022)

A member of the ActiveAhead family of continuously adaptive wireless lighting control solutions, the ActiveAhead Sense Outdoor is an IP65-rated, luminaire-based sensor that combines a passive infrared presence detector with a light sensor for daylight harvesting.

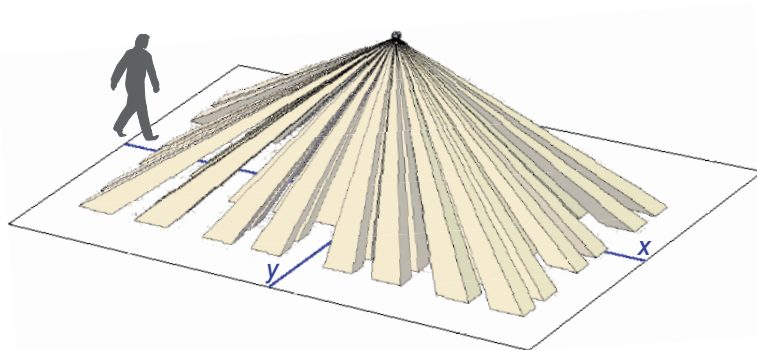
The ActiveAhead Sense Outdoor is attached to a flexible connection cable terminated with a keyed connector that plugs into an ActiveAhead Control Unit. The cable exits the IP-protected sensor housing from the side through a threaded entry bush, providing a method of sealing a connection to a luminaire enclosure.



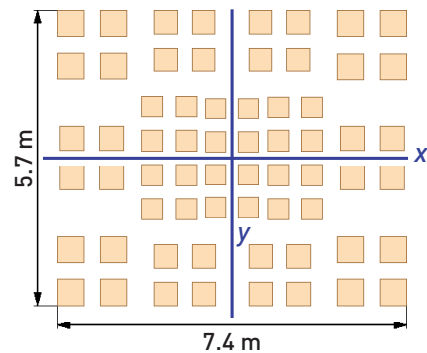
Key Features

- Reliable presence and ambient-light detection.
- Simple, out-of-box energy saving functionality.
- Rugged polycarbonate housing with IP65 rating.
- Easy-to-seal external installation to luminaire enclosure.
- Part of Helvar's ActiveAhead range of products, which anticipate the most suitable lighting conditions right before they are needed.

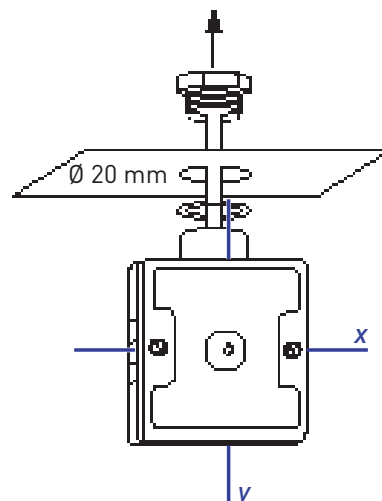
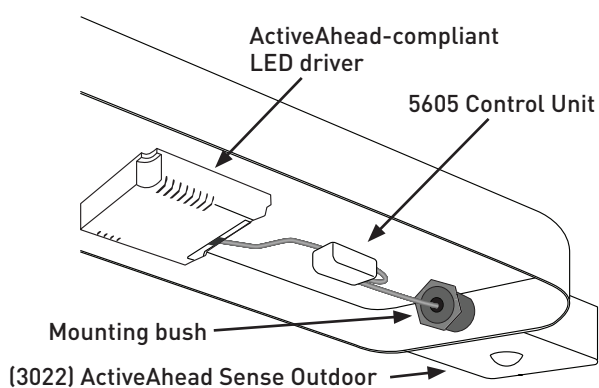
Presence Detection Coverage at 2.5 m Height



Detection pattern at floor level for 2.5 m mounting height



Mounting



Technical Data

Connections

ActiveAhead: 80 cm flexible cable terminated with a four-way, 2 mm keyed connector

Power

Power consumption: 3.3 V; 5 mA max.

Mechanical data

Max. recommended mounting height: 3 m
Presence detection coverage area: 42.2 m² @ 2.5 m mounting height
Dimensions: 60 mm × 75 mm × 37 mm
Mounting hole: 20 mm
Material (enclosure): Fire-retardant polycarbonate
Colour: White (RAL9003)
Weight: 92 g (with attached cable)
IP rating: IP65

Operating conditions

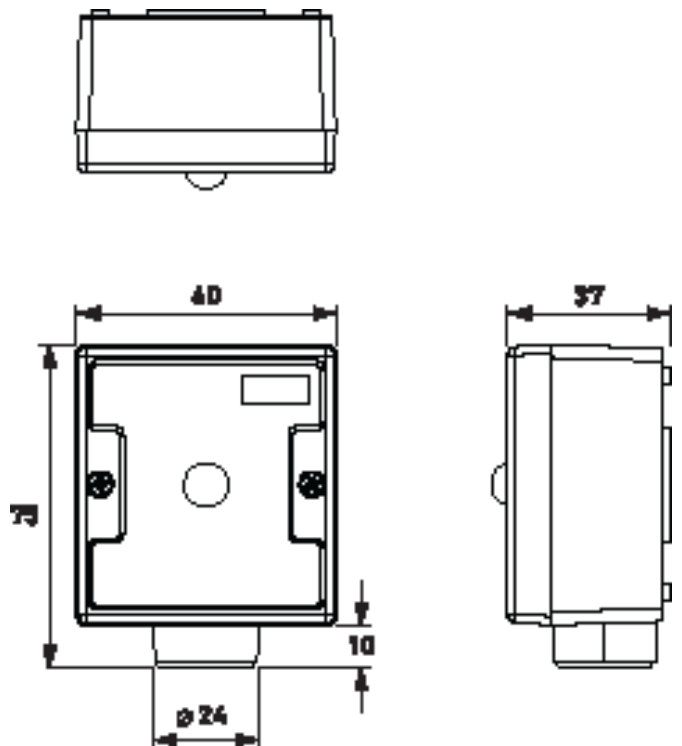
Ambient temperature: -25 °C to +50 °C
Note: The temperature difference between the detection target and the background must be at least 4 °C.
Relative humidity: Max. 90 %, noncondensing
Storage temperature: -25 °C to +70 °C

Conformity and standards

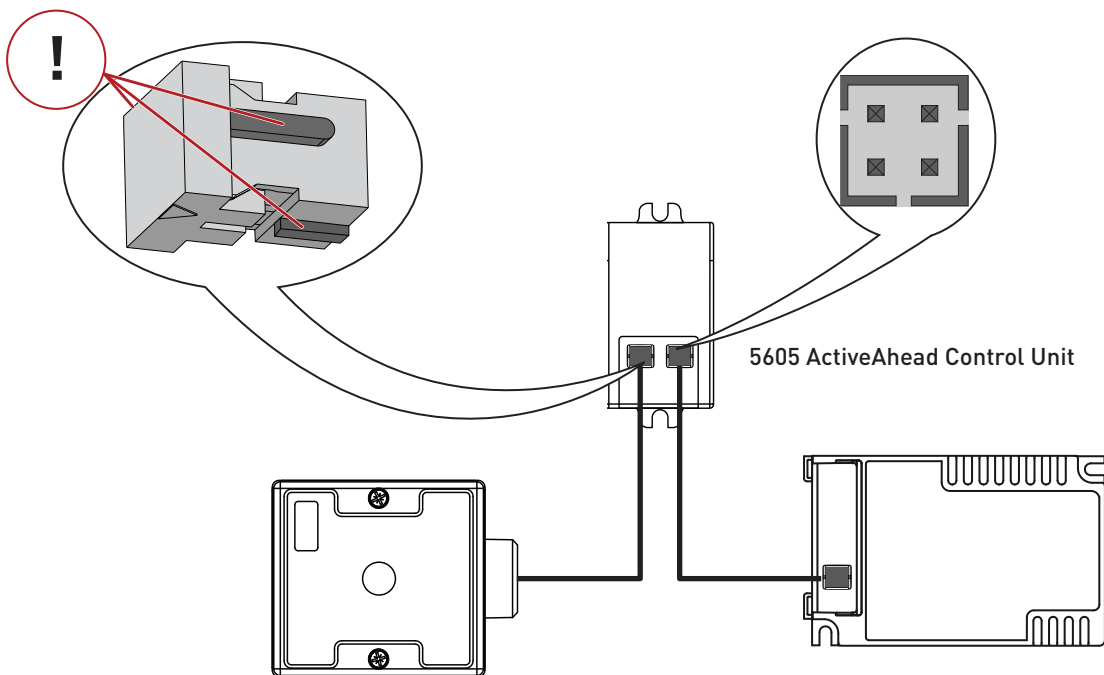
EMC emission: EN 55015
EMC immunity: EN 61574
Safety: EN 61347-2-11
Environment: Complies with RoHS directive.



Dimensions (mm)



Connections



3022 ActiveAhead Sense Outdoor

ActiveAhead compliant LED driver