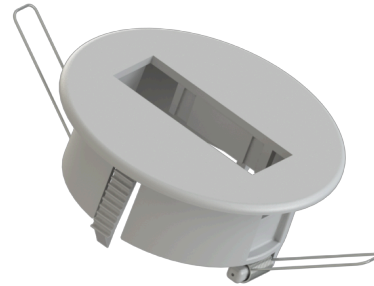


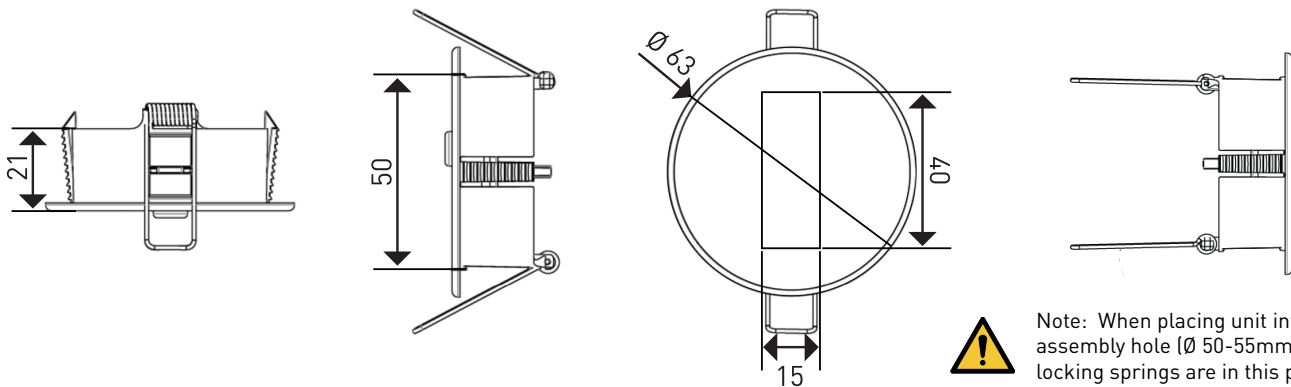
5693 ActiveAhead Node Sense Circular Holder Sensor Accessory Series

Key Features

- Accessory for mounting the ActiveAhead Node Sense to the ceiling.
- Easy installation to recessed ceiling.
- Suitable for a 50-55mm diameter cutout.
- Available in white (5693)

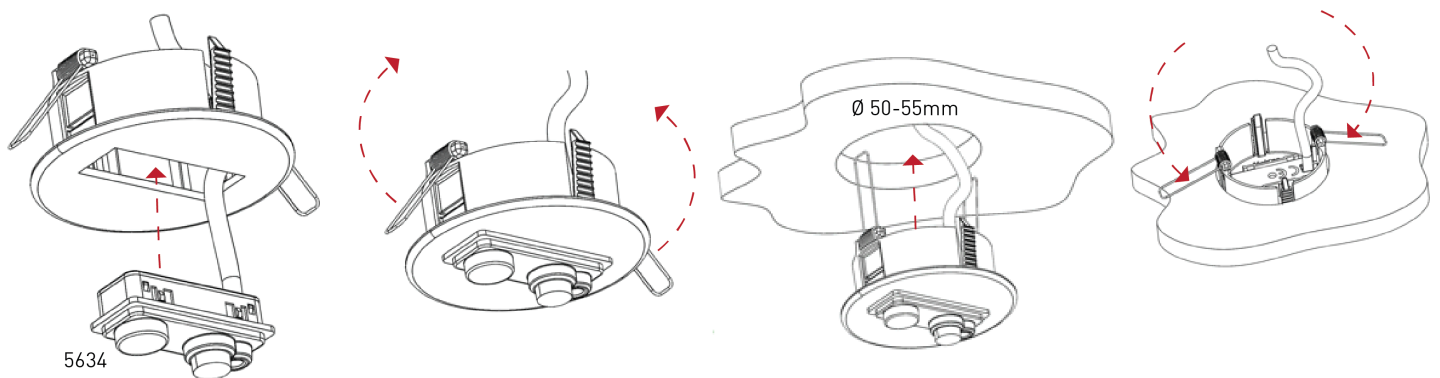


Dimensions




Note: When placing unit into assembly hole (Ø 50-55mm) ensure locking springs are in this position.


Fitting



Technical Data

Mechanical data	
Material (casing):	Polycarbonate
Fire retardant:	Yes
UV protected:	Yes
Colour:	White RAL 9016

Operating conditions	
Operating temperature:	0 °C to +40 °C
Storage temperature:	-40 °C to +80 °C
	Note: Holder cannot be used to provide higher classification against ingress of dust or moisture.

Conformity and standards	
Conformity:	
Luminaires - Part: General requirements and tests	EN 60598-1
Glow-wire flammability test (GWFI):	650°C (IEC 60695-2-12)
Compliant with relevant EU directives (when correctly installed in the luminaire).	