

441 Occupancy Detector Interface

The 441 Occupancy Detector Interface allows connection of a customer-specified occupancy sensor to a DIGIDIMDALI system. The input accepts a volt-free, normally closed contact. The prewired encapsulated circuit board is intended for mounting inside the wiring space of the sensor.

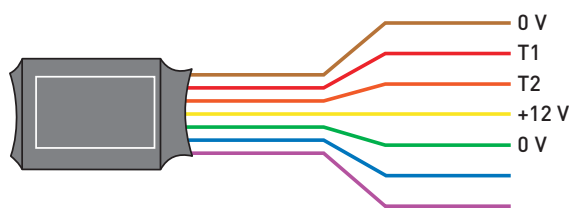
The 441 also includes a 12 V DC supply (15 mA max.) to power the sensor.



Key Features

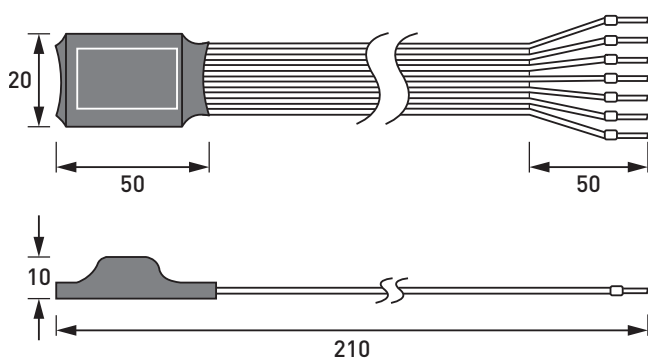
- Fits into the wiring space inside the sensor.
- Input for normally closed (NC) volt-free switch compatible with security sensors.
- Fully programmable using Toolbox and Designer software.
- Compatible with Helvar iDim range, functioning as a PIR extension sensor

Default Functions

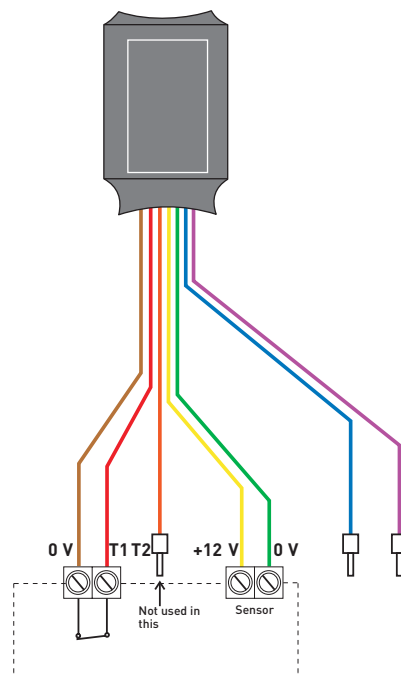


Connection	Cable Colour
0 V	Brown
T1	Red
T2	Orange
+12 V	Yellow
0 V	Green
DA+	Blue
DA-	Violet

Dimensions (mm)




Typical Connection to Occupancy Sensor



Technical Data


Voltage-free switched inputs	
Connections:	0 V input ground. 1 sensor input (normally closed). 2 for future use. Do not connect.
Voltage at T1:	5 V nominal with input open, must be less than 1 V closed.
Overload protection:	± 7 V
Short-circuit current:	1 mA max
Debounce period:	50 ms

Connections	
DALI/switch/power:	Ribbon cable terminated with 7 ferrules Ferrule pin # 1.2 mm  Note: To avoid interference problems, the connections must not be increased in length.

Electrical data	
Sensor supply:	12 V @ 15 mA max. (nonisolated) 0 V supply, common to input 0 V
DALI consumption:	10 mA + sensor supply mA ≤ 25 mA max.

Mechanical data	
Dimensions:	50 mm × 20 mm × 10 mm
Weight:	12 g
IP rating:	IP20

Operating and storage conditions	
Ambient temperature:	0 °C to +50 °C
Relative humidity:	Max. 90 %, noncondensing
Storage temperature:	-10 °C to +70 °C

Conformity and standards	
Conformity:	
EMC emission:	EN 55015
EMC immunity:	EN 61547
Safety:	EN 61347-2-11
Environment:	Complies with WEEE and RoHS directives.

Software compatibility	
Designer:	4.1 or later
Toolbox:	2.2.12 or later