

5692 ActiveAhead Sense Circular Holder Sensor Accessory Series

Key Features

- Accessory for mounting the Active+ Sense and ActiveAhead Sense sensor to the ceiling
- Easy installation
- Suitable for flush mounting
- Sturdy structure, internal strain relief
- Available in white [5692]



Package contents

One set of ActiveAhead Sense Circular Holder accessory kit consists of the following parts:

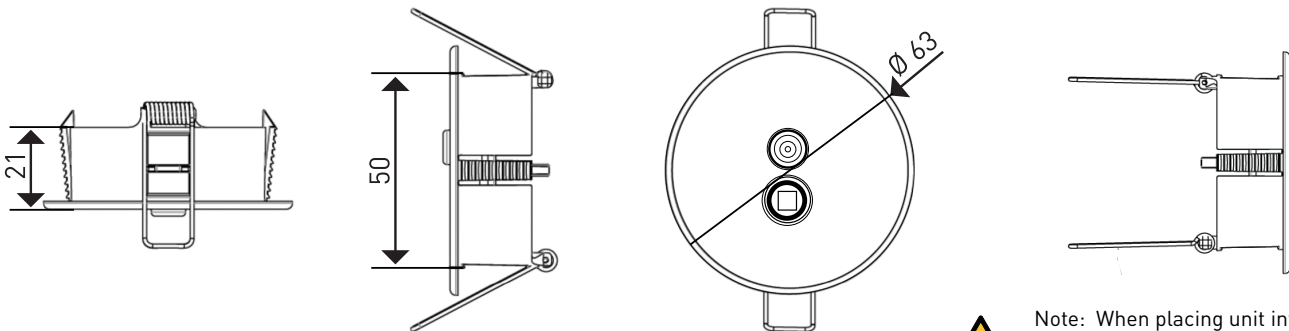
- 1 x Sensory holder
- 1 x Strain relief part
- 2 x Locking springs



Note: Circular sensor holders are packed in bags of ten sets which also contains 1 x Installation Guide.

Dimensions (mm)


Dimension tolerance ± 0.2 mm




Note: When placing unit into assembly hole (\varnothing 50-55mm) ensure locking springs are in this position.

Technical Data

Mechanical data	
Material (casing):	Polycarbonate
Fire retardant:	Yes
UV protected:	Yes
Colour:	White RAL 9016

Operating conditions	
Operating temperature:	0 °C to +40 °C
Storage temperature:	-40 °C to +80 °C
	Note: Holder cannot be used to provide higher classification against ingress of dust or moisture.

Conformity and standards	
Conformity:	
Luminaires - Part: General requirements and tests	EN 60598-1
Glow-wire flammability test (GWFI):	650°C (IEC 60695-2-12)
Compliant with relevant EU directives (when correctly installed in the luminaire).	

For instructions on how to mount the sensor to the housing and fix the housing to the ceiling please refer to separate Installation guide (Doc. 7860429) which is available on the product website's download and links section.