

## 32xTR, 32xD2TR Tracksensor

The Tracksensors are ready-to-be mounted sensors for DALI lighting tracks. Helvar system sensors can be flexibly mounted in the wanted position on the DALI lighting track making sensor installations easy and quick. Order the system sensor of your choice in a white or black readily assembled track mountable unit.

Connect the DALI lighting track to the Helvar Imagine Router solution or to the ActiveAhead Node Advanced to add lighting control benefits to your installation.

The Tracksensors support a selection of compatible and tested DALI lighting tracks. Please see the latest list later in this document.



## Key Features

- Ready to be mounted on to a DALI lighting track\*
- Easy and quick installation
- Re-position flexibly to support future needs

\*Compatible tested DALI-lighting tracks:

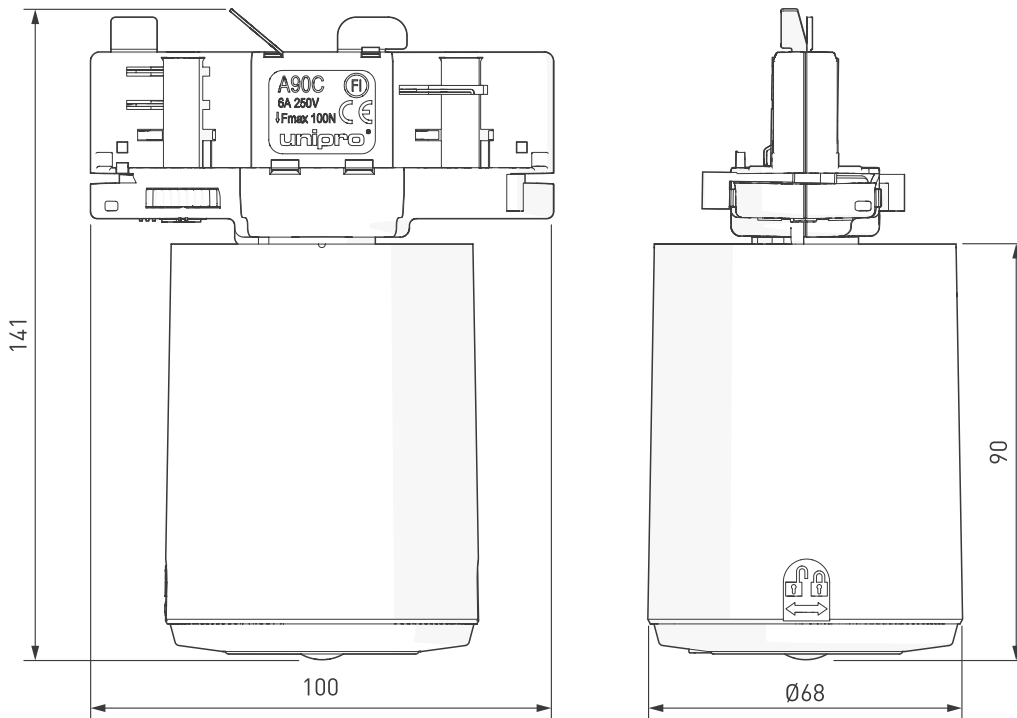
Unipro TC3x, 2025

GLOBAL Trac Pulse, 2025

A.A.G. Stucchi ONETRACK®, 2025

Product Code	Description	Colour	Compatible Systems
320TR, 320BTR	PIR Sensor, Track	White, Black	ActiveAhead and 905, 910, 920, 950 Application Controllers
321TR, 321BTR	Multisensor, Track	White, Black	ActiveAhead and 905, 910, 920, 950 Application Controllers
322TR, 322BTR	High Bay Multisensor, Track	White, Black	ActiveAhead and 905, 910, 920, 950 Application Controllers
320D2TR, 320BD2TR	PIR Sensor (DALI-2), Track	White, Black	ActiveAhead and 950 Application Controller
321D2TR, 321BD2TR	Multisensor (DALI-2), Track	White, Black	ActiveAhead and 950 Application Controller
322D2TR, 322BD2TR	High Bay Multisensor (DALI-2), Track	White, Black	ActiveAhead and 950 Application Controller

## Dimensions (mm)



## Technical Data

### Conformity and standards

Conformity:	
EMC emission:	EN 55015
EMC immunity:	EN 61547
Safety:	EN 61347-2-11
Environment:	Complies with WEEE, RoHS and REACH directives.

**Note:** For specific product information and Technical data refer to the related 32X Sensor and SBB-X Surface Mounting Box datasheets.

The Tracksensor only supports DALI tracks.

Helvar takes no responsibility for any track changes made which could affect compatibility.