

Tracksensor (32xTR, 32xD2TR) Datasheet

The Tracksensors are ready to be mounted sensors for DALI lighting tracks. Helvar system sensors can be flexibly mounted on the wanted position on the DALI lighting track making sensor installations easy and quick. Order the system sensor of your choice in white or black readily assembled in a track mountable unit.

Connect the DALI lighting track to the Helvar Imagine Router solution or to the ActiveAhead Node Advanced to add lighting control benefits to your installation.

The Tracksensors support a selection of compatible and tested DALI lighting tracks. Please see the latest list later in this document.

Key Features

- Ready to be mounted on to a DALI lighting track*.
- Easy and quick installation.
- Re-position flexibly to support future needs.

*Compatible tested DALI-lighting tracks:

Unipro TC3x, 2023

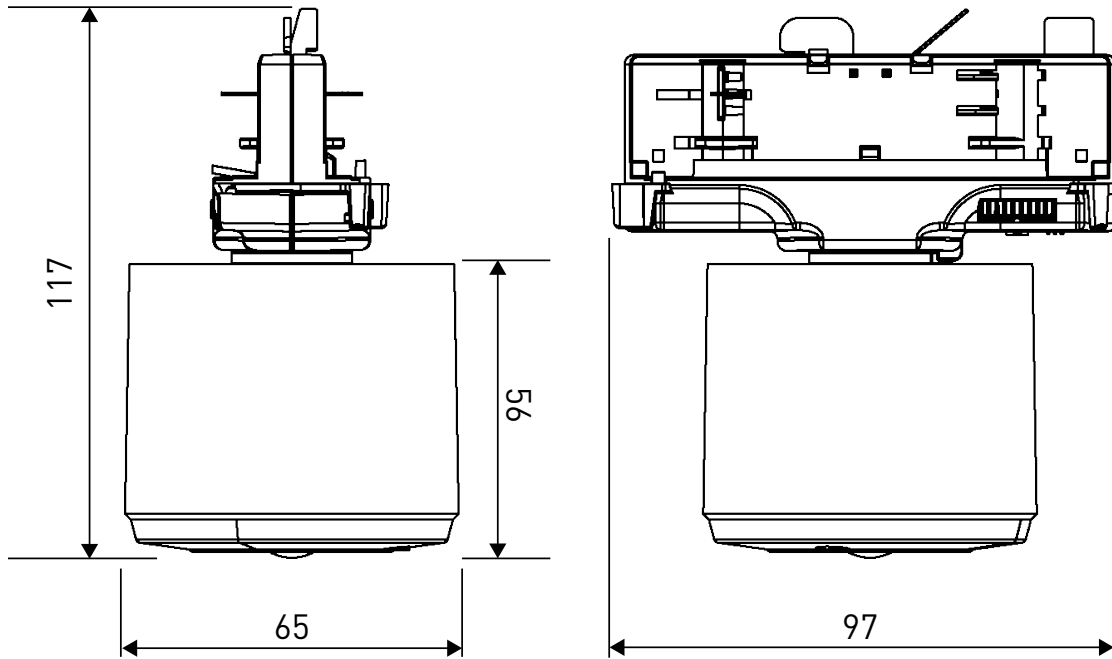
GLOBAL Trac Pulse, 2023

A.A.G. Stucchi ONETRACK®, 2023



| Product Code | Description | Colour | Compatible System |
|--------------|--------------------------------------|--------|--|
| 320TR | PIR Sensor, Track | White | ActiveAhead and 950, 920, 910, 905 Application Controllers |
| 320BTR | PIR Sensor, Track | Black | ActiveAhead and 950, 920, 910, 905 Application Controllers |
| 321TR | Multisensor, Track | White | ActiveAhead and 950, 920, 910, 905 Application Controllers |
| 321BTR | Multisensor, Track | Black | ActiveAhead and 950, 920, 910, 905 Application Controllers |
| 322TR | High Bay Multisensor, Track | White | ActiveAhead and 950, 920, 910, 905 Application Controllers |
| 322BTR | High Bay Multisensor, Track | Black | ActiveAhead and 950, 920, 910, 905 Application Controllers |
| 320D2TR | PIR Sensor (DALI-2), Track | White | ActiveAhead and 950 Application Controller |
| 320BD2TR | PIR Sensor (DALI-2), Track | Black | ActiveAhead and 950 Application Controller |
| 321D2TR | Multisensor (DALI-2), Track | White | ActiveAhead and 950 Application Controller |
| 321BD2TR | Multisensor (DALI-2), Track | Black | ActiveAhead and 950 Application Controller |
| 322D2TR | High Bay Multisensor (DALI-2), Track | White | ActiveAhead and 950 Application Controller |
| 322BD2TR | High Bay Multisensor (DALI-2), Track | Black | ActiveAhead and 950 Application Controller |

Dimensions (mm)



Technical Data

| Conformity and standards | |
|--------------------------|---|
| Conformity: | |
| EMC emission: | EN 55015, EN 61000-6-3 |
| EMC immunity: | EN 61547 |
| Safety: | EN 61347-1, for track IEC 60570 |
| Environment: | Complies with WEEE and RoHS directives. |

Note:



For specific product information and Technical data refer to the relating 32X Sensor and SBB-X Surface Mounting Box datasheets.

Tracksensor only supports DALI tracks.

Helvar takes no responsibility with any track changes made which could affect compatibility.