

ActiveAhead Node Advanced (5609)

ActiveAhead Node Advanced is a member of the truly intelligent wireless lighting control solution Helvar ActiveAhead®. It connects standard DALI devices to the ActiveAhead Bluetooth® mesh network. It offers addressed local DALI control line which allows individually set light output levels for the connected DALI luminaires.

The connected ActiveAhead nodes share information, such as movement detections, through the mesh network, and a mobile app allows you to adjust the parameters of the system.

The ActiveAhead Node Advanced is very easy to install even with thick mains cables and is equipped with integrated spacious strain reliefs and supports looping the mains. Each Node Advanced has a DALI output with dual parallel connectors.

Both ActiveAhead sensors as well Helvar DALI system sensors can be connected to anticipate the most suitable lighting conditions right before they are needed. Thanks to its smart software algorithm, Helvar ActiveAhead is able to learn how the space is used to predict the luminaire operation accordingly.

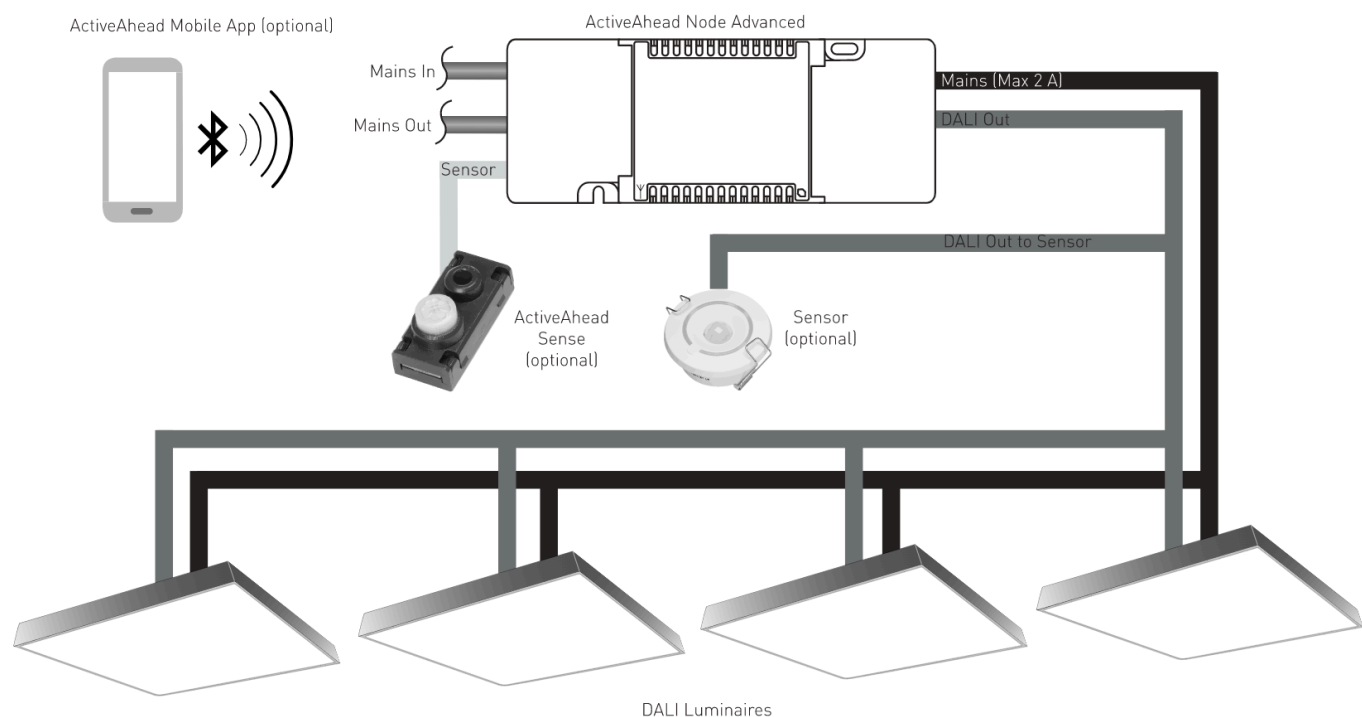
Learning is based on the data that the node receives from locally connected sensors and from other ActiveAhead nodes in the network. Since it never stops learning, the ActiveAhead Node Advanced will adapt to any future changes in its environment, such as a wall installation or removal.



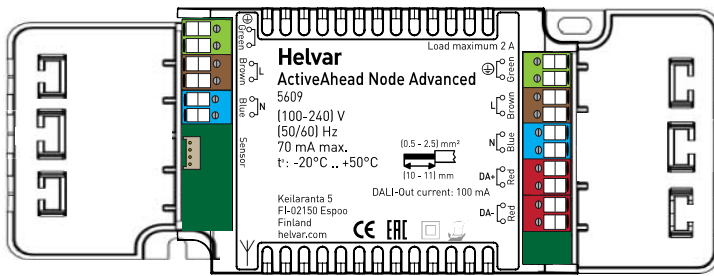
Key Features

- Connects DALI devices into the wireless Helvar ActiveAhead network.
- Compatible with the ActiveAhead sensors as well as Helvar DALI system sensors (320, 321, 322, 341 and 342).
- Offers local addressed DALI control line.
- Continuously learns how the space is used and acts accordingly.
- Additional customisation via mobile app.
- Integrated spacious strain reliefs with screwless clamps, quick and simple installation process.
- Doubled input terminals for looping the mains cables.

Installation Diagram

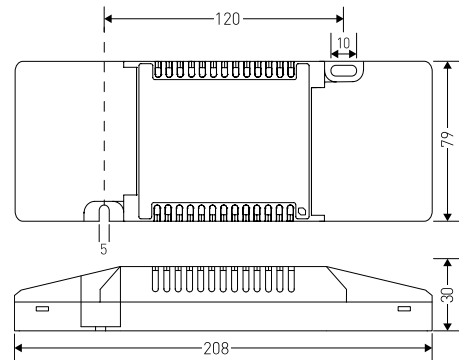


Connections



Note: Doors of the unit have been removed from this illustration.

Dimensions (mm)



Technical Data

Supported DALI device types	
DT0 Fluorescent lamp control gear	
DT4 Incandescent lamp dimmer	
DT6 LED lamp control gear	
DT7 Switching (relay) control gear	
DT8 Colour control gear (colour temperature Tc only)	
Helvar DALI system sensors: 320, 321, 322, 341 and 342	

Connections	
Doubled input and output terminals for looping the mains and DALI cables	
Mains:	3 × 2-pole push-fit terminals Wire section: 0.5 mm ² – 2.5 mm ² solid or stranded.
DALI cable:	2 × 2-pole push-fit terminals Wire section: 0.5 mm ² – 2.5 mm ² solid or stranded.
Mains Output: Max. 2 A	3 × 2-pole push-fit terminals Wire section: 0.5 mm ² – 2.5 mm ² solid or stranded.
Sensor:	ActiveAhead Sense connector

Electrical data	
Input voltage:	100 VAC – 240 VAC
Starting voltage:	85 V
Input current:	Max. 70 mA
Input power:	Max. 3.5 W
Input frequency:	50 Hz – 60 Hz
Output current for DALI:	Typical 100 mA (Max. 250 mA)
Sensor interface:	3.3 V

Mechanical data	
Dimensions:	208 mm × 79 mm × 30 mm
Material (casing):	Polycarbonate
Colour:	White RAL 9016
Weight:	182 g
Safety class:	Construction class: II. Suitable for installation in Class I or Class II luminaires, or for independent installation.

Operating conditions	
Number of connected DALI devices:	Max 16 addresses or 100 mA (see Notes below)
Mains output:	Max. 2 A
Output pulse withstand (inrush) capability:	Max. 8 pcs load devices (see Notes below)
<p>Note: The total number of connected devices is limited by the addresses, the DALI current consumption or inrush current limitation.</p> <p>Note: A maximum of 16 pcs. of load devices can be connected when mains is fed from different source.</p>	
Operating temperature:	-20 °C to +50 °C
Relative humidity:	Max. 90 %, noncondensing
Storage temperature:	-40 °C to +80 °C
Max. DALI cable length	30 m
Max. distance between Nodes:	15 m in free space

Conformity and standards	
Conformity:	
EMC:	EN 55015 EN 61547
Safety:	EN 61347-1 EN 61347-2-11
RED:	EN 301 489-1 EN 301 489-17 EN 300 328
Isolation mains to DALI:	Basic isolation (250 V)
Isolation mains to sensor:	Reinforced isolation (250 V)
Isolation DALI to sensor:	Supplementary isolation (250 V)
Environment:	Complies with WEEE and RoHS directives.