

# ST7-X SceneTouch7

The SceneTouch7 Panel is a 7" capacitive touch, full-colour, high-resolution lighting control panel designed to work with Helvar's router system over Ethernet.

An easy-to-use, gesture-controllable and intuitive interface that is customisable to different applications via the SceneStudio online design tool.

The product can be installed in solid or plasterboard walls using the supplied metal back box.

## Key Features

- Capacitive touch lighting control panel
- 7" High-resolution colour touch screen
- Gesture controllable
- Ethernet LAN port
- Wi-Fi
- DC power input (PSU included)
- Suitable for solid and plasterboard walls
- Available in black or white

## Software Compatibility

- Designer 5.4 or later
- Workgroup size up to 30 routers
- Multicast workgroups are NOT supported

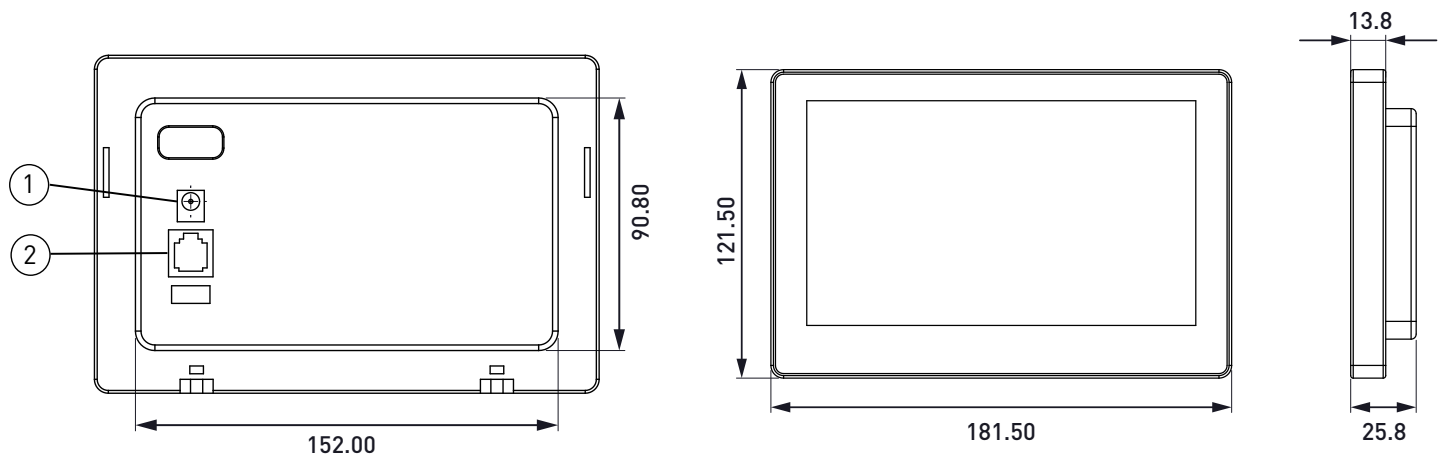


## Product order codes

ST7-B: Black

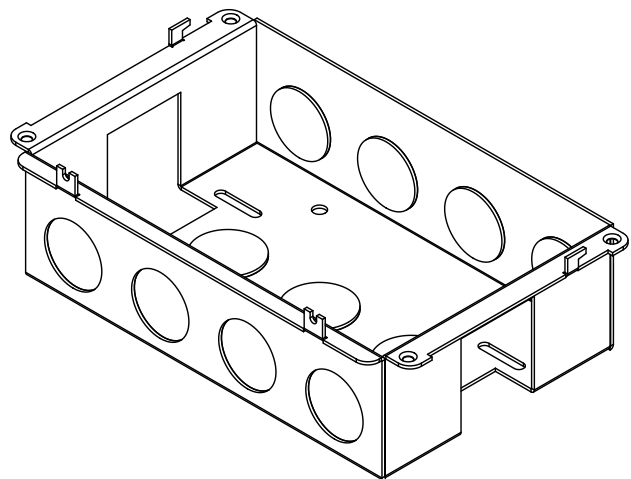
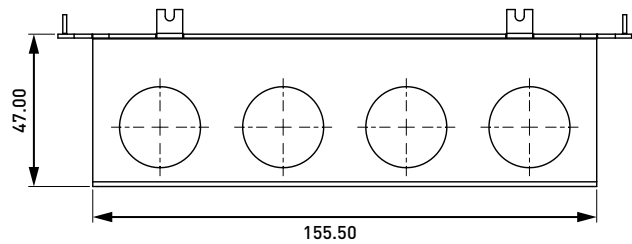
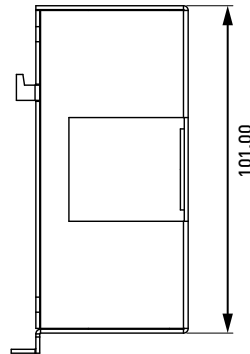
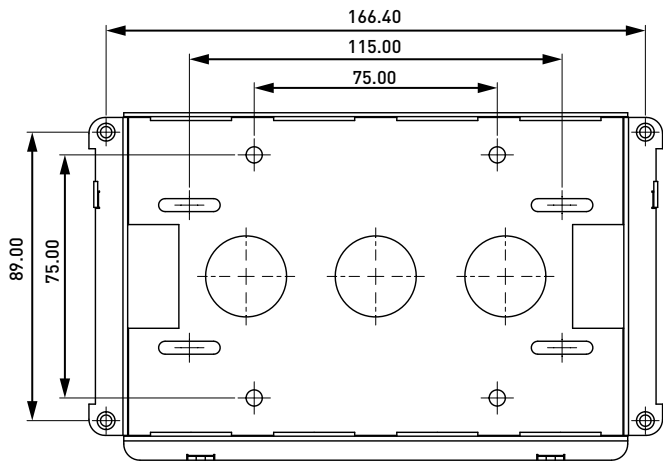
ST7-W: White

## Connections and Dimensions (mm)



1. DC IN (9 V - 24 V, PSU included)
2. Ethernet to lighting router system

## Wall-mount back box dimensions (mm)



## Technical Data

Display	
Screen:	7" IPS
Resolution:	1024 × 600
Brightness:	350 cd/m <sup>2</sup>

Electrical data	
Input voltage:	9 VDC – 24 VDC
Typical power consumption:	6 W

Connectivity	
LAN:	1 x RJ45 10/100 Mb/s, Cat 5E up to 100 m. For router network.
Wi-Fi:	802.11b/g/n
USB interface:	USB 2.0
Bluetooth®:	V2.1 + EDR/BT v3.0/BT v3.0 + HS/ BT v4.0

Operating and storage conditions	
Ambient temperature:	0 °C to +40 °C
Relative humidity:	Max. 90 %, noncondensing
Storage temperature:	-20 °C to +70 °C

Mechanical data	
Dimensions:	181.5 mm × 121.5 mm × 25.8 mm
Mounting:	In-wall (solid and plasterboard walls)
Weight:	350 g
IP rating:	IP40 (user access)

Conformity and standards	
Conformity:	
RED:	EN 300 328, EN 301 489-1, EN 301 489-17
Safety:	EN 60950-1
Environment:	Complies with WEEE and RoHS directives.