

Freedom luminaire-based sensor Series

Product code: 5630xxx (see table below)

- Small and inconspicuous luminaire-based sensor that combines a constant light sensor and a passive infrared movement detector
- Can be used with Helvar Freedom driver + Node solutions when the control system supports it
- Various cable lengths available for flexible installation
- Integrated mounting features, also optional mounting accessories available
- If the sensor is connected to non-SELV control gear, the luminaire must be Class I



KEY FEATURES

- Small and inconspicuous, it does not change the appearance of the luminaire.
- Provided with mounting features that can be snapped into sheet metal: two on each long side, and two on the rear.
- Compatible with the following Freedom wireless lighting control solutions: ActiveAhead, Casambi, Mount Kelvin and Mymesh by Chess.

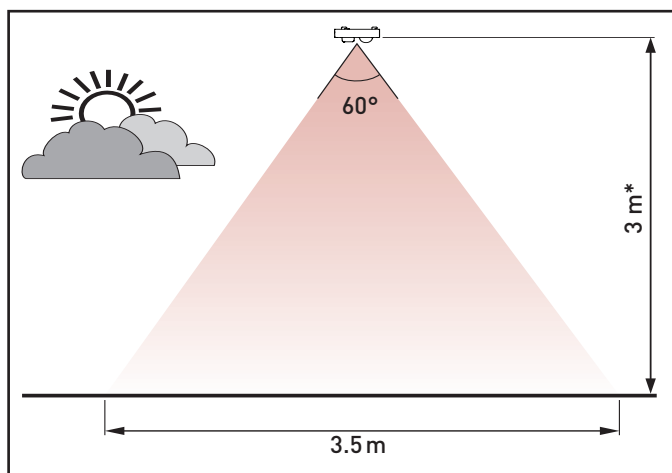
ORDER CODES

Product name	Order code	Sensor casing colour	Cable length
<i>Freedom Sensors</i>			
Freedom Sense	5630010	White	30 cm
	5630020	White	80 cm
	5630030	White	150 cm
	5630120	Black	80 cm



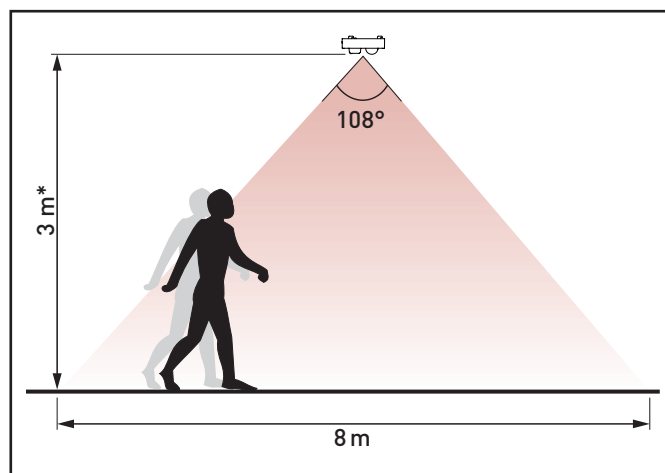
DETECTION

Light Sensor - For constant light functions



*Max recommended height 3 m

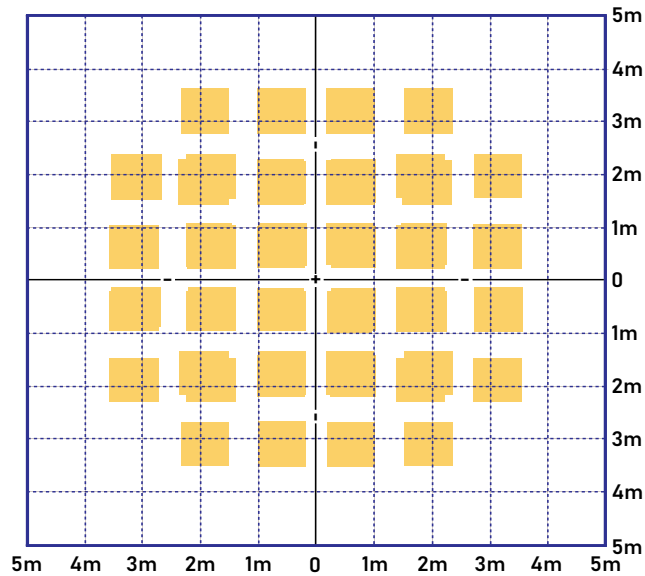
Presence Detector - Passive infrared (PIR)



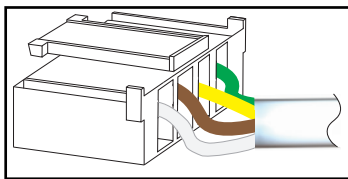
*Max recommended height 4 m

DETECTION

Detection pattern at floor level for 2.5 meters mounting height



CONNECTION



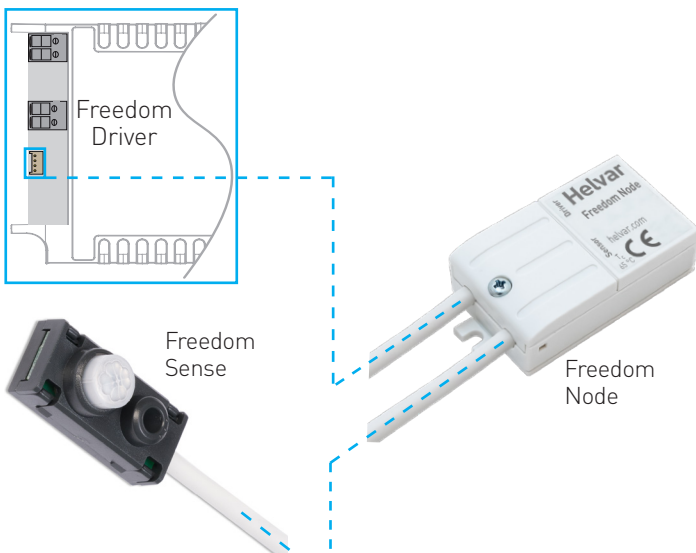
Connector side/rear view



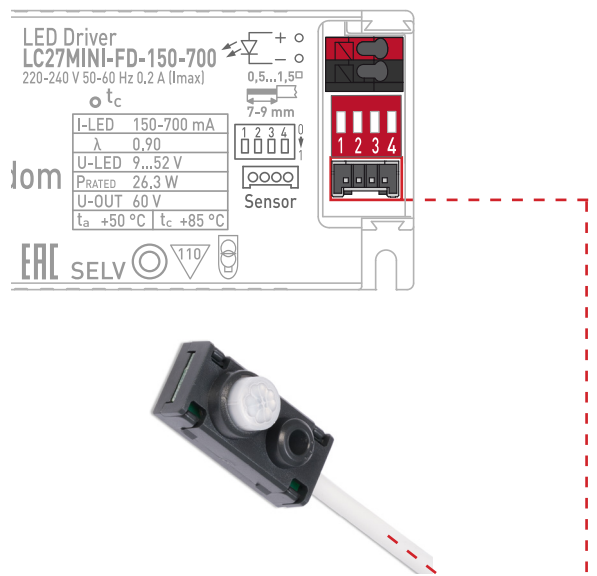
Note: Ensure each connector securely 'clicks' into place when plugged in correctly.

There are two set up scenarios:

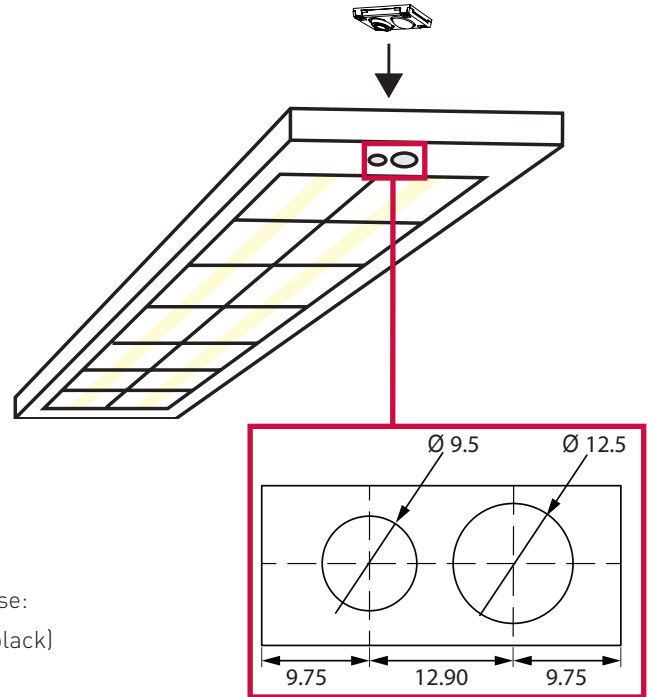
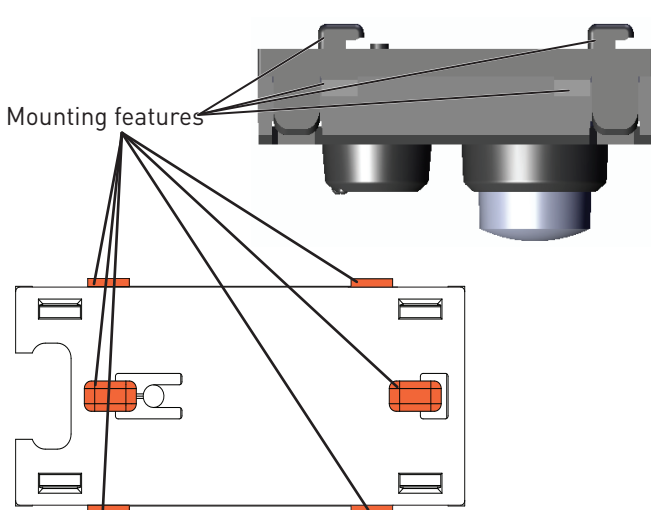
Case 1 - Connection with Freedom driver and separate Freedom Node



Case 2 - Connection to Freedom driver with integrated radio unit (e.g. LC27MINI-FD-150-700, LL4-CV-FD)

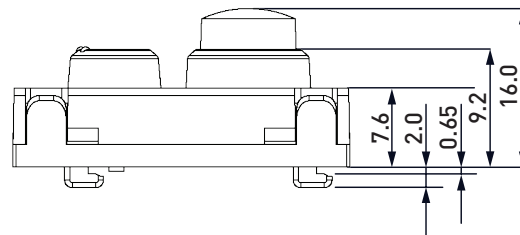
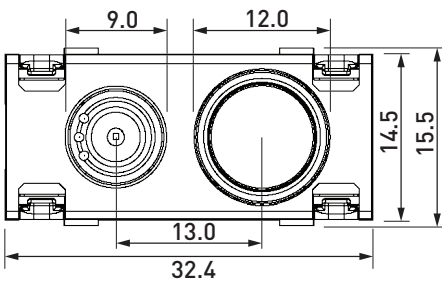


MOUNTING



Note: Sensor holders are available to be used with the Freedom Sense:
 5691/5691B - ActiveAhead Sense Rectangular Sensor holder (white/black)
 5692 - ActiveAhead Sense Circular Sensor holder (white)

DIMENSIONS



MATERIALS AND CONDITIONS

Connections

Freedom solution Flexible cable terminated with a four-way, 2 mm locking connector.
 Note: If the sensor is connected to non-SELV control gear, the luminaire must be Class I.

Operating Conditions

Ambient temperature range -20...+50 °C
 Note: the temperature difference between the detection target and the background must be at least 4 °C.
 Relative humidity Max. 85 %, noncondensing
 Storage temperature -20...+70 °C
 Illuminance 5 lx to 5000 lx

Mechanical data

Dimensions 32.4 mm x 15.5 mm x 18 mm
 Material (casing) Fire-retardant PC/ABS blend
 Colour White (RAL 9003)
 Black (RAL 7016)
 Ingress protection rating IP30
 Weight 22 g

Conformity & Standards

EMC emission EN 55015
 EMC Immunity EN 61547
 Safety EN 61347-2-11

Compliant with relevant EU directives, CE marked, RoHS compliant