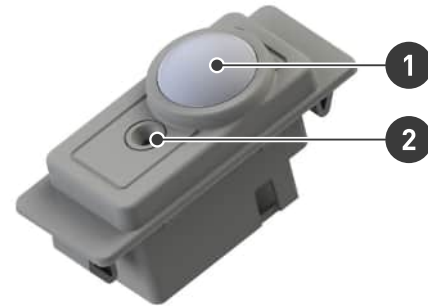


5636 Multisense R60 High Bay

The 5636 Multisense R60 High Bay is a luminaire-based sensor which can be used with wireless control solution Helvar ActiveAhead[®]. 5636 Multisense High Bay combines a PIR sensor for movement detections and a light sensor for daylight savings. This sensor follows the Zhaga Book 20 mechanical dimensions for a rectangular sensor which suits to a 60 x 22 mm slot on a luminaire. The front side of the sensor is IP65 rated allowing it to be used in applications such as industrial.

A Helvar Freedom connecting cable of a chosen length is required to connect this sensor to a Node. This sensor can be used on the wireless self-learning lighting control solution Helvar ActiveAhead.

If the sensor is connected to non-SELV control gear, the luminaire must be Class I.



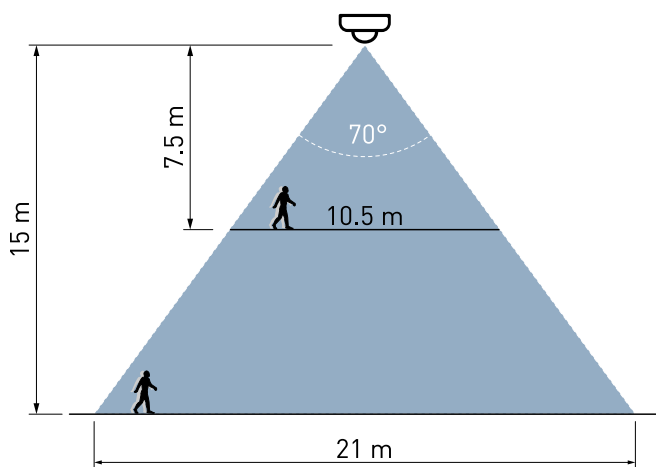
1. PIR sensor
2. Light sensor

Key features

- Small Helvar Freedom luminaire based high bay multisensor for Helvar ActiveAhead[®]
- Fits to a standard Zhaga Book 20 based rectangular 60 x 22 mm luminaire slot
- IP65 rated front side
- Select a Helvar Freedom connecting cable length of choice

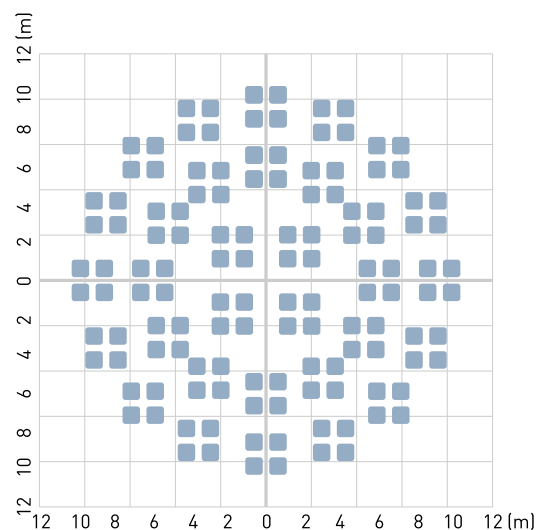
Detection

Detection Coverage



Max recommended mounting height: 17 m

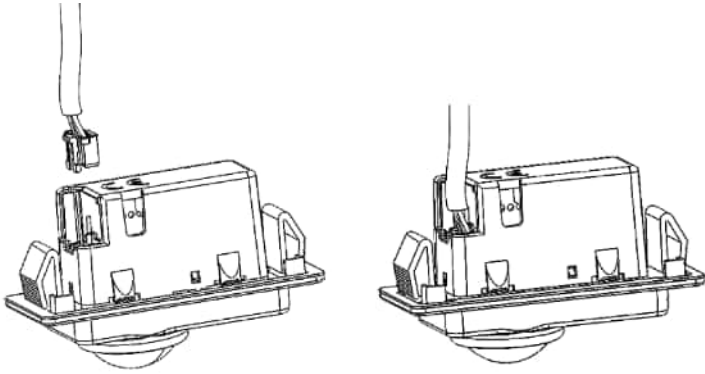
Detection Pattern



Detection Pattern at floor level for 15 m mounting height

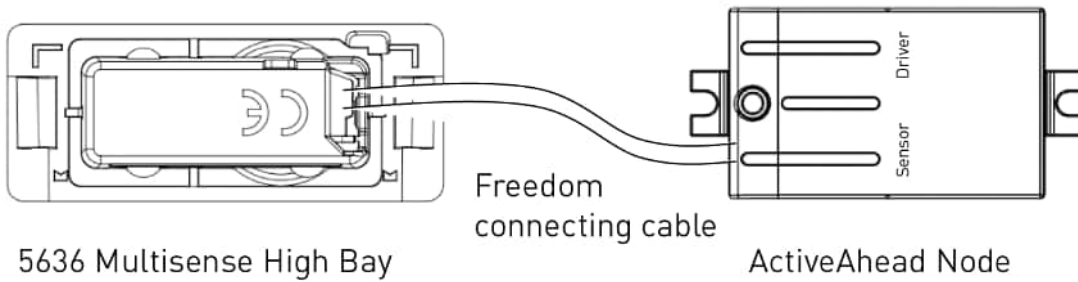
Detection range and sensitivity depends on the speed and size of the moving object as well as its temperature difference to the surroundings. Moving directionally towards the sensor will give worse detection than crossing the detection area on an angle.

Connections

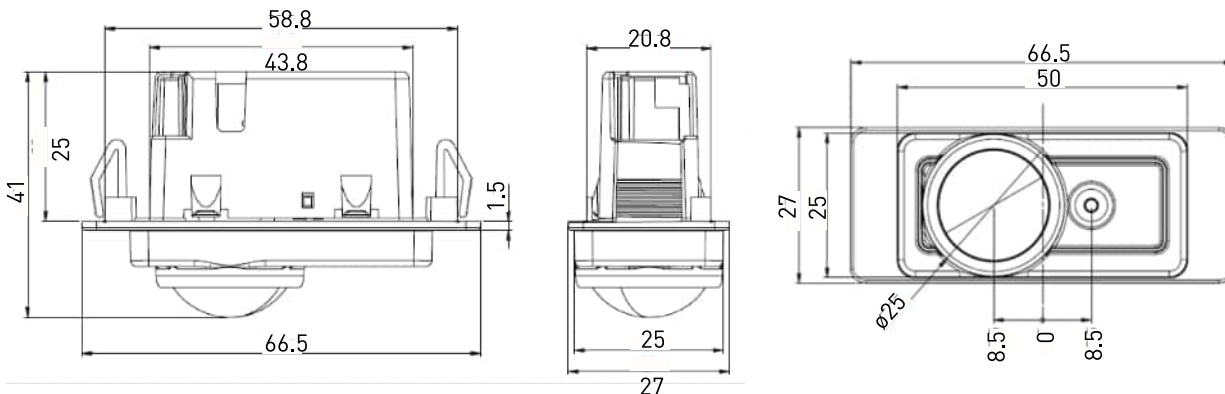


5636 Multisense High Bay has a connector for the Freedom connecting cable.

Picture below presents how a 5636 Multisense High Bay is connected to an ActiveAhead Node with a Freedom connecting cable.



Dimensions (mm)



Technical Data

Connections

Freedom: Connector for the Freedom connecting cable

Note: If the sensor is connected to non-SELV control gear, the luminaire must be Class I. Cable length must not exceed 150 cm.

Electrical data

Input voltage: 3.0–3.6 V provided by Freedom Node

Max. power consumption: 36 mW

Movement detection sensor

Technology: Passive infrared (PIR) detects moving temperature differences

Detection coverage area: 346 m² @ 15 m mounting height
87 m² @ 7 m mounting height achieved with:

- 8 °C temperature difference to target
- 1.0 m/s movement speed
- 700 x 250 mm object size

Max. recommended mounting height: 17 m

Light sensor

Technology: Closed loop reflected light for bright-out function

Illuminance: 5 lx to 5000 lx

Operating and storage conditions

Operating temperature: -20 °C to +50 °C

Note: The temperature difference between the detection target and the background must be at least 4 °C.

Relative humidity: Max. 85 %, noncondensing

Storage temperature: -20 °C to +70 °C

Mechanical data

Dimensions: 66.5 mm x 27 mm x 41 mm

Material (casing): Fire-retardant PC/ABS blend

Colour: Grey (RAL 7035)

IP rating: IP65 front, IP20 back

Weight: 16 g

Conformity and standards

Conformity: 

EMC emission / immunity: EN 55015 / EN 61547

Safety: EN 61347-2-11

Environment: Complies with WEEE and RoHS directives.

Order codes

5636G Multisense R60 High Bay Grey

5696G Holder Batten R60 Grey