

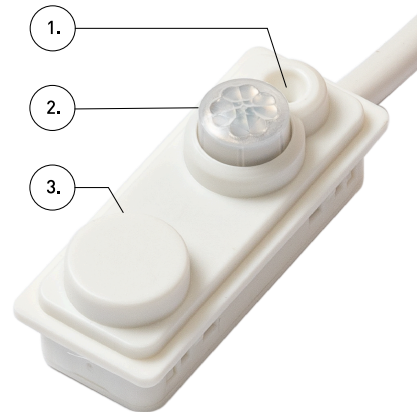
# ActiveAhead Node Sense (5634)

The ActiveAhead Node Sense is a member of the truly intelligent wireless lighting control solution Helvar ActiveAhead®. This extremely compact and sophisticated unit contains light and PIR sensors as well as a radio antenna and processor. The Node Sense design allows for multiple mounting options within a luminaire and excellent communication in all directions using a Bluetooth® Mesh network to communicate wirelessly. Once installed the ActiveAhead Node Sense has the ability to continuously learn from the space usage and adapt the lighting accordingly.

The cable is already wired to the unit meaning easy and quick luminaire assembly. No additional Node is required, simply plug the connector of the cable directly into a Helvar Freedom LED driver or an ActiveAhead Adapter DA.

Once installed, configuration can be easily completed using the ActiveAhead mobile app.

The ActiveAhead Node sense is available in white and dark grey and comes with a variety of cable lengths.

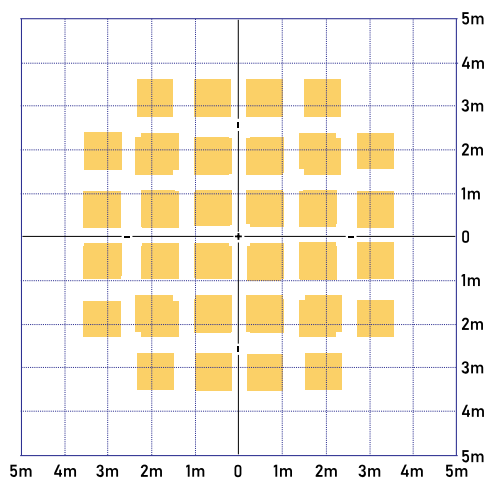


1. Light sensor
2. PIR Sensor
3. Radio antenna

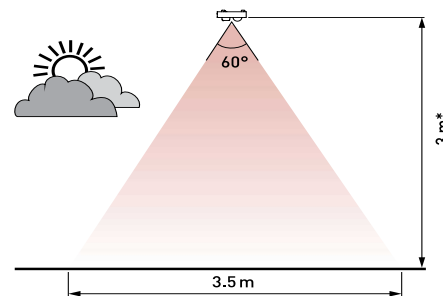
## Key Features

- Combined light and PIR sensors with built in radio and connecting antenna.
- Fitted a cable with connector for fast luminaire assembly.
- Small and inconspicuous, the compact unit does not change the appearance of the luminaire.
- Part of the ActiveAhead self-learning wireless lighting control solution.
- Can be used with Circular Holder (5693).

## Detection Pattern at Floor Level for 2.5 m Mounting Height

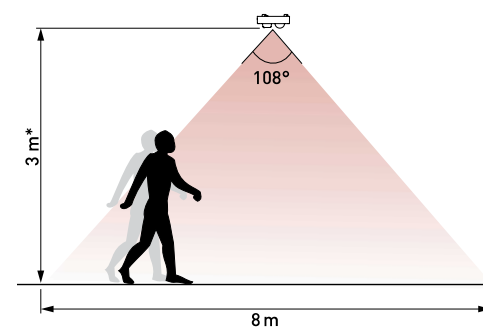


## Light Sensor - For Constant Light Functions



\* Max. recommended mounting height 3 m

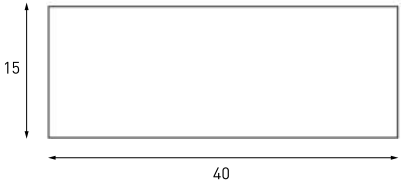
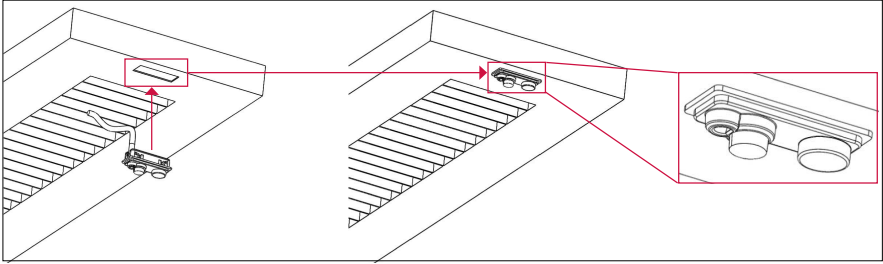
## Presence Detector - Passive Infrared (PIR)



\* Max. recommended mounting height 4 m

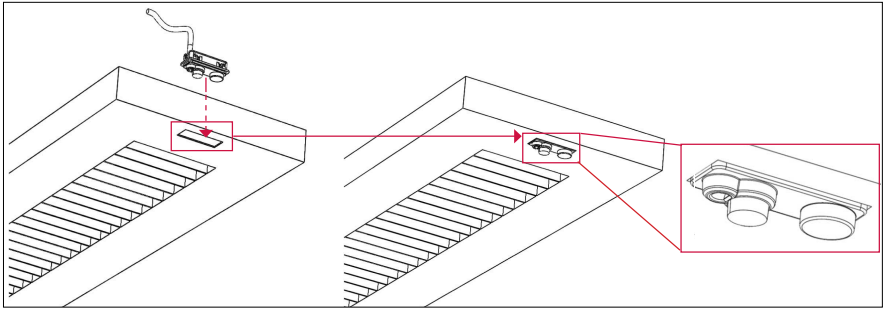
# Mounting

The ActiveAhead Node Sense can be mounted to a luminaire in the following three ways.

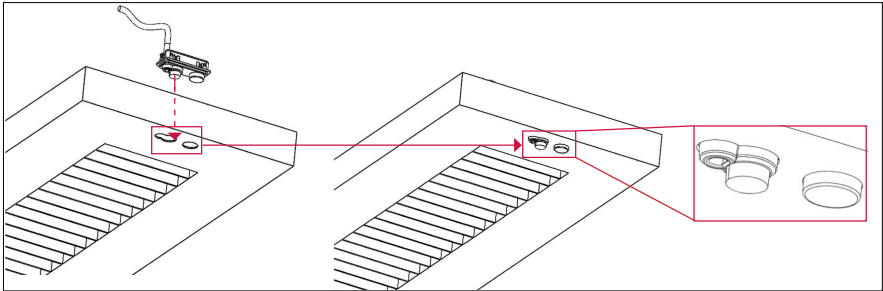


**!** Note: For a rectangular cut-out the area required to fit the unit needs to measure 15 mm x 40 mm, as shown on the right.

1) When mounting from outside in, carefully push the unit into the cutout until it 'clicks' into place and sits flush with the luminaire casing.



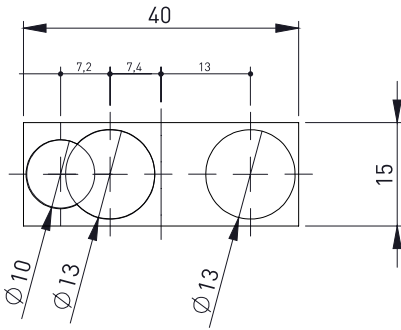
2) When mounting from inside out, ensure the face of the unit sits level with the luminaire casing and secure the Node in place.



3) When mounting with drilled cut-outs make sure the light sensor, PIR sensor and radio antenna all sit correctly within their allocated areas.

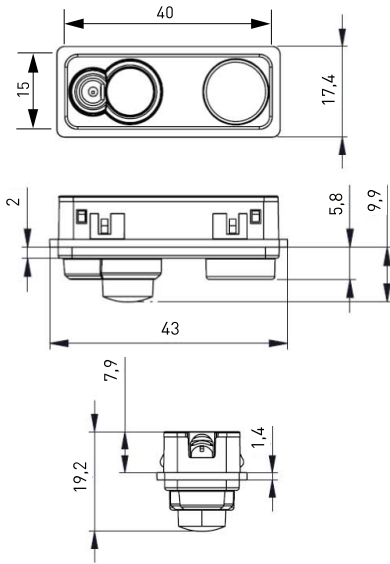
**!** Note: If drilled cut-outs are required for the light sensor, the PIR and the radio antenna ensure the areas are correctly sized by using the drilling template on the right.

## Drilling Template (mm)



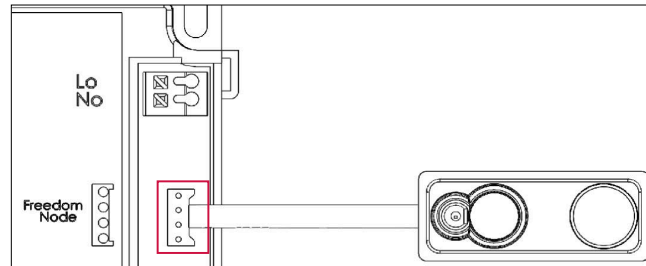
For drilled cut-outs for the light sensor, the PIR and the radio antenna use the template shown.

## Dimensions (mm)



## Connection

Connecting the Node Sense to a Freedom LED Driver.



Note: Ensure connector securely 'clicks' into place when plugged in correctly.




Note: If the sensor is connected to non-SELV control gear, the luminaire must be Class I.


## Technical Data


Connections	
ActiveAhead:	Flexible cable terminated with a four-way, locking connector.

Electrical Data	
Max Power consumption:	70 mW
Typical Power Consumption:	60 mW
Input Voltage:	3.3 V

Wireless Connectivity	
Frequency:	2.4 GHz
Technology:	Bluetooth Mesh
Antenna Pattern:	Omnidirectional
Max distance between Nodes:	15 m in free space
 Note:	To ensure proper operation the mesh network must consist of a minimum 10 ActiveAhead Nodes.

Mechanical data	
Dimensions:	43 mm × 17.4 mm × 19.2 mm
Material (casing):	Fire-retardant plastic.
Colour:	White (RAL 9003) Grey (RAL 7016)
IP rating:	IP30
Weight:	22 g

Operating conditions	
Ambient temperature:	0 °C to +40 °C  Note: The temperature difference between the detection target and the background must be at least 4 °C.
Relative humidity:	Max. 85 %, noncondensing
Storage temperature:	-20 °C to +70 °C
Illuminance:	5 lx to 5000 lx

Conformity and standards	
Conformity:	
EMC emission:	EN 55015
EMC immunity:	EN 61547
Safety:	EN 61347-2-11
Environment:	2011/65/EU RoHS 1907/2006 REACH 2012/19/EU WEEE

Order Codes	
5634	Length: 80 cm, Colour: White
5634-150:	Length: 150 cm, Colour: White
5634B:	Length: 80 cm, Colour: Grey
5634B-150:	Length: 150 cm, Colour: Grey