

# 13xx Modular Panels

The 13xx modular panels are a customizable, DALI-compatible range of user interfaces that allow control of the lighting system. Each module is fitted with indicator LEDs and an infrared receiver that gives the option of remote operation using DIGIDIM hand-held remote controls. The hand-held remote also allows additional control of the system's functions and can be used as a programming device on simple systems.

## Key Features

- Choice of black (B) or white (W) modules.
- Simple connection: out-of-box operation.
- Easily reconfigured and programmable using Helvar Designer and Toolbox.
- Designed to fit DIN and UK standard back boxes.
- Double-gang version can take three independent modules.
- Customizable versions available upon request. Both the button layout of the panels and the images or labels that are printed on each button can be customized. Contact your local Helvar representative for further information.

## Product Range

The following modules are available:

Module Function	Product Code White	Product Code Black
On / Off (2 buttons)	131W	131B
Raise/Lower (2 buttons)	132W	132B
4 scenes + Off (5 buttons)	134W	134B
4 scenes, Off + Up/Down (7 buttons)	135W	135B
7 scenes + Off (8 buttons)	136W	136B
4 scenes (4 buttons)	137W	137B



131W  
On/Off



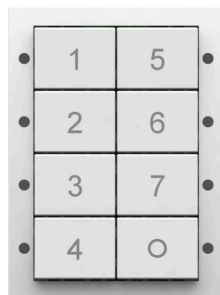
132W  
Raise/Lower



134W  
4 scenes + Off



135W  
4 scenes, Off + Up/Down

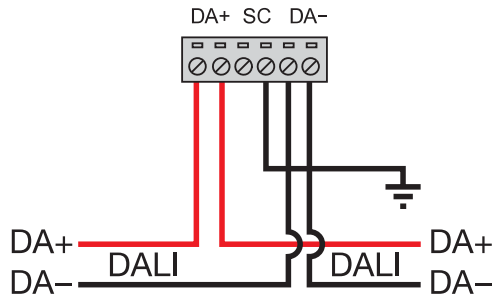
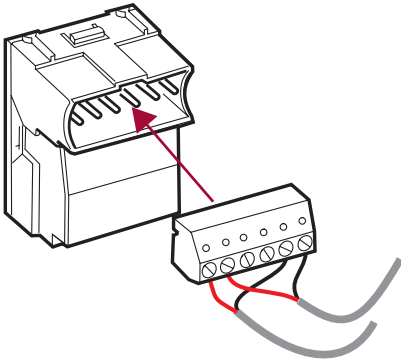


136W  
7 scenes + Off



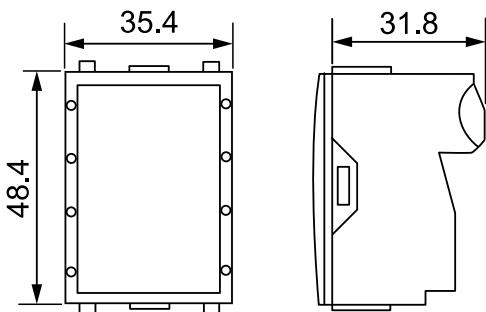
137W  
4 scenes

## Connections



Note: Ensure each connector is fully inserted into the modular panel.

## Dimensions (mm)



## Technical Data




Connections	
DALI cable:	Removable connector block Wire size: 0.5 mm <sup>2</sup> – 2.5 mm <sup>2</sup> solid or stranded
Cable rating:	All cables must be mains rated.

Mechanical data	
Dimensions:	35.4 mm × 48.4 mm × 31.8 mm
Module weight:	41 g with DALI connector
IP code:	IP30
Colour:	White (RAL 9003) Anthracite Grey (RAL 7016)

Power	
DALI supply input:	13 V to 22.5 V
DALI consumption:	10 mA

Operation	
IR frequency:	36 kHz
Start-up time:	≤ 500 ms

Operating and storage conditions	
Ambient temperature:	0 °C to +40 °C
Relative humidity:	Max. 90 %, noncondensing
Storage temperature:	-10 °C to +70 °C

Conformity and standards	
Conformity:	  
EMC emission:	EN 55015
EMC immunity:	EN 61547
Safety:	EN 61347-2-11
Environment:	Complies with WEEE and RoHS directives.