

3021 Active+ Sense

The Active+ Sense is a small luminaire-based sensor that combines a light sensor for constant light control and a passive infrared movement detector

This sensor can be used on the self-learning smart wireless lighting control solution ActiveAhead as well as on intelligent luminaire control solution Active+.

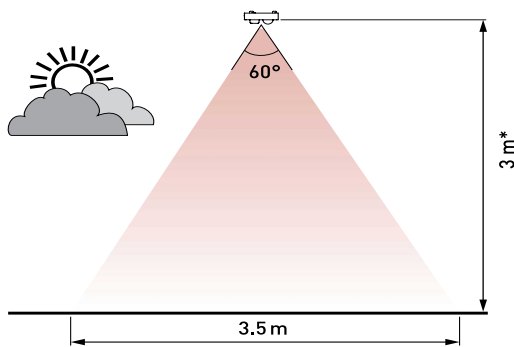
The Active+ Sense plugs into an ActiveAhead Control Unit or in the Active+ usage to an Active+ LED driver.

If the sensor is connected to non-SELV control gear, the luminaire must be Class I.

Key Features

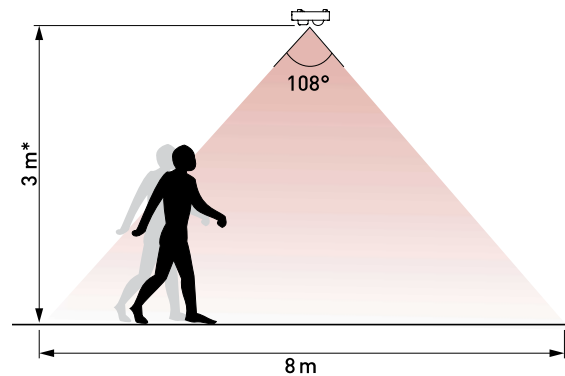
- Small and inconspicuous, it does not change the appearance of the luminaire.
- Provided with mounting features that can be snapped into sheet metal: two on each long side, and two on the rear.
- Part of the ActiveAhead self-learning wireless lighting control solution.

Light Sensor - For constant light functions

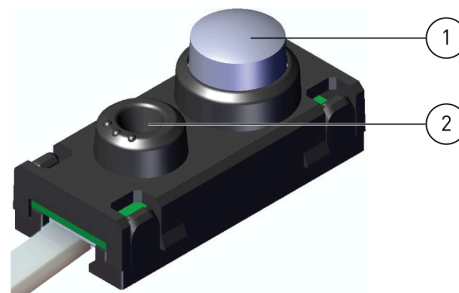


* Max recommended height 3 m

Presence Detector - Passive infrared (PIR)

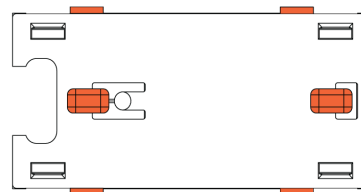
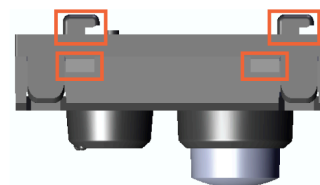


* Max recommended height 4 m

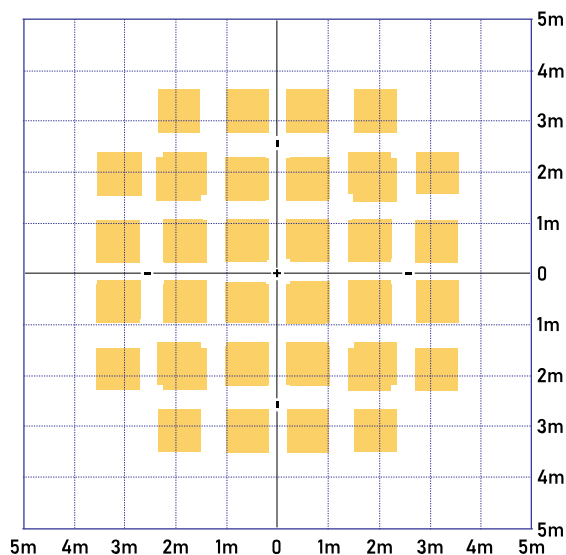


1. PIR sensor
2. Light sensor


Mounting Features



Detection pattern at floor level for 2.5 meters mounting height






Technical Data

| Connections | |
|------------------------|--|
| ActiveAhead / Active+: | Flexible cable terminated with a fourway, 2 mm keyed connector  Note: If the sensor is connected to nonSELV control gear, the luminaire must be Class I. |

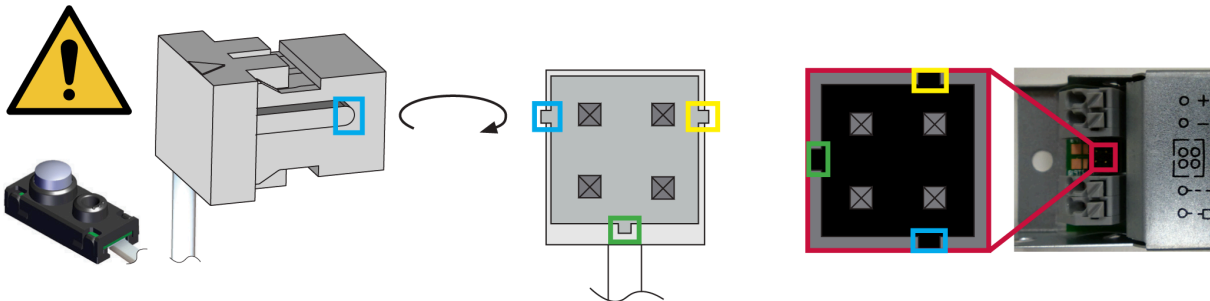
| Mechanical data | |
|-----------------|-----------------------|
| Dimensions: | 50 mm × 20 mm × 10 mm |
| Weight: | 12 g |
| IP rating: | IP20 |

| Cable information | |
|--------------------|------------------------------|
| Order Code: 302101 | Length: 80 cm, Colour: White |

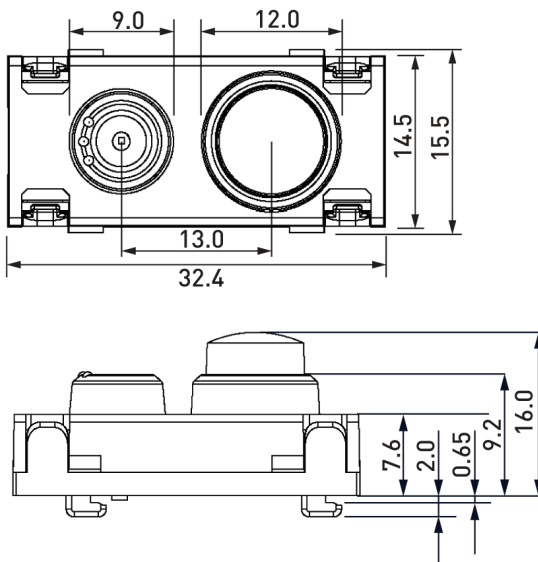
| Operating and storage conditions | |
|----------------------------------|---|
| Ambient temperature: | -20 °C to +50 °C  Note: The temperature difference between the detection target and the background must be at least 4 °C. |
| Relative humidity: | Max. 85 %, non-condensing |
| Storage temperature: | -20 °C to +70 °C |
| Illuminance: | 5 lx to 5000 lx |

| Conformity and standards | |
|--------------------------|---|
| Conformity: |   |
| EMC emission: | EN 55015 |
| EMC immunity: | EN 61547 |
| Safety: | EN 61347-2-11 |
| Environment: | Complies with RoHS directive. |

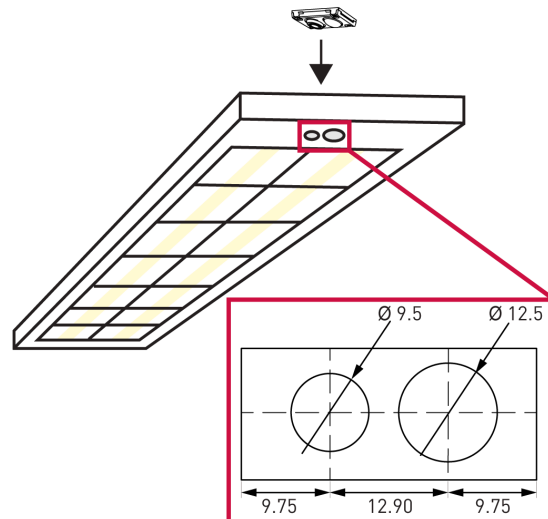
Connection



Dimensions (mm)



Mounting



Note: Sensor holders are available to be used with the Active+ Sense:

5691 - ActiveAhead Sense Rectangular Sensor holder

5692 - ActiveAhead Sense Circular Sensor holder