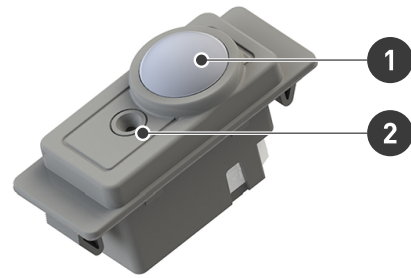


# 325D2 Multisensor High Bay DALI-2 R60

The 325D2 Multisensor High Bay is a luminaire-based DALI-2 sensor that combines a PIR sensor for movement detections and a light sensor for constant light output. This sensor complies with the DALI-2 parts 303 and 304 and follows the Zhaga Book 20 mechanical dimensions for a rectangular sensor that fits into a 60 mm x 22 mm slot on a luminaire.

This sensor can be used with a Helvar DALI-2 multi-master lighting control solution, such as the Helvar 950 Router.



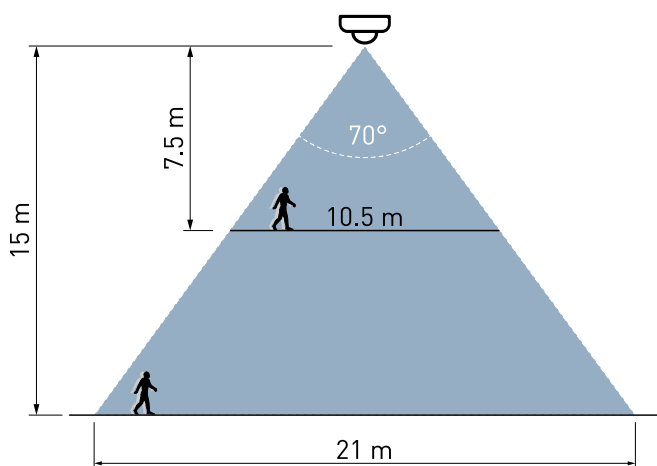
1. PIR sensor
2. Light sensor

## Key Features

- Small luminaire based DALI-2 high bay multisensor
- Fits into a standard Zhaga Book 20 based rectangular 60 mm x 22 mm (+/- 0.2 mm tolerance) luminaire slot
- 10 mA DALI current consumption
- DALI-2 certified input device

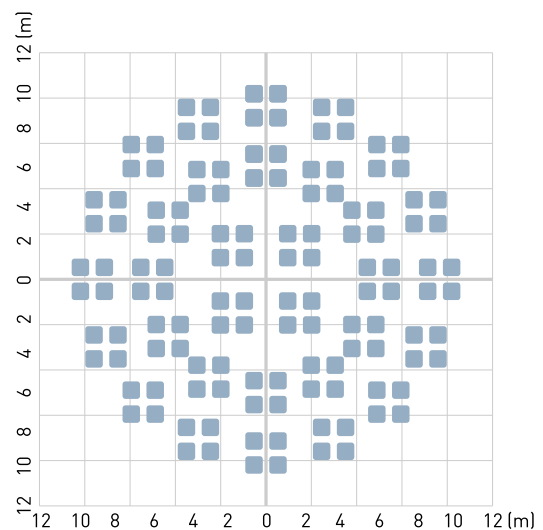
## Detection

### Detection Coverage



Max recommended mounting height: 17 m

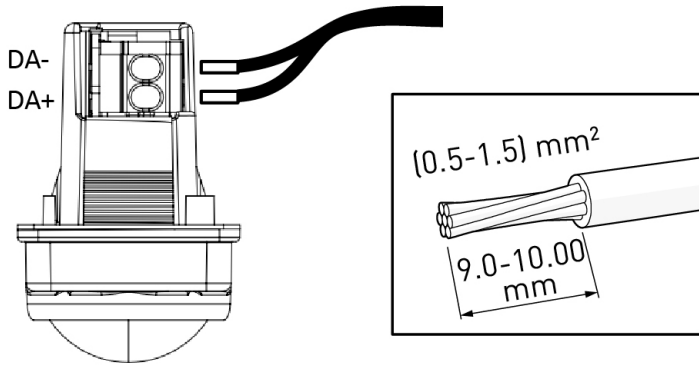
### Detection Pattern



Detection Pattern at floor level for 15 m mounting height

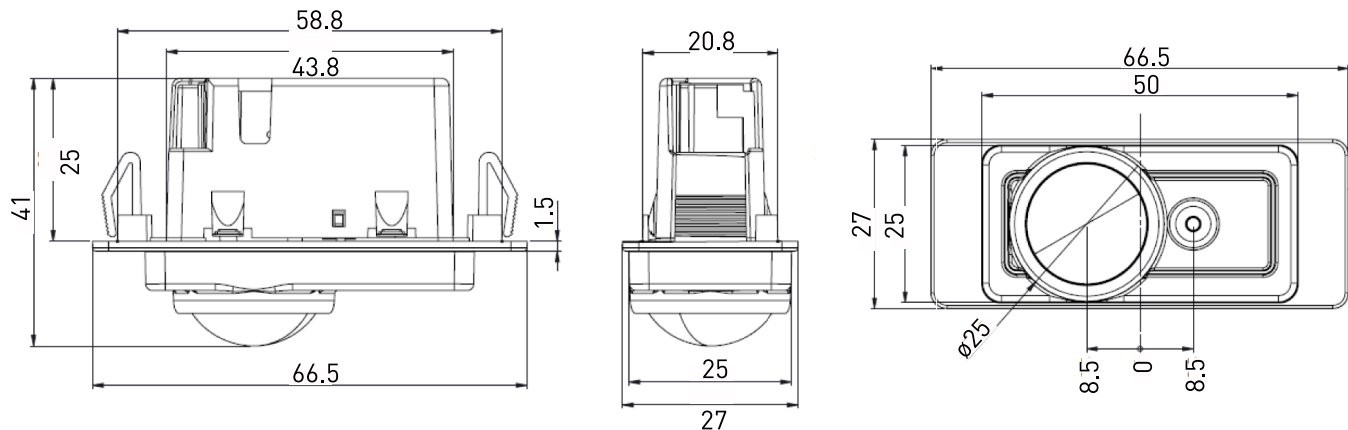
Detection range and sensitivity depends on the speed and size of the moving object as well as its temperature difference to the surroundings. Moving directionally towards the sensor will give worse detection than crossing the detection area at an angle.

# Connections



Note: To remove DALI wiring, push down the release buttons.

# Dimensions (mm)



# Technical Data

## Connections

- DALI:** Push-fit terminals for the DALI wires.  
Wire section: 0.5–1.5 mm<sup>2</sup>, solid or stranded
- Cable rating:** All cables must be mains rated.

## Electrical Data

- DALI supply input:** 12–22.5 V
- DALI consumption:** 10 mA Max

## Operating and storage conditions

- Ambient temperature:** -20 °C to +50 °C  
**Note:** The temperature difference between the detection target and the background must be at least 4 °C.
- Relative humidity:** Max. 85 %, noncondensing
- Storage temperature:** -20 °C to +70 °C  
**Note:** Frost on the lens may block the detection.

## Movement detection sensor

<b>Technology:</b>	Passive infrared (PIR) detects moving temperature differences
<b>Detection coverage area:</b>	346 m <sup>2</sup> @ 15 m mounting height 87 m <sup>2</sup> @ 7 m mounting height achieved with: 8 C° temperature difference to target 1.0 m/s movement speed 700 x 250 mm object size
<b>Max. recommended mounting height:</b>	17 m



## Light sensor

<b>Technology:</b>	Closed loop reflected light
<b>Illuminance:</b>	5 lx to 5000 lx

## Mechanical data

<b>Dimensions:</b>	66.5 x 27 x 41 mm
<b>Material (casing):</b>	Fire-retardant PC/ABS blend
<b>Colour:</b>	Grey (RAL 7035)
<b>Weight:</b>	19 g
<b>IP rating:</b>	IP65 front, IP20 back

## Conformity and standards

<b>Conformity:</b>	 
<b>EMC emission:</b>	EN 55015
<b>EMC immunity:</b>	EN 61547
<b>DALI:</b>	IEC 62386, Parts 101, 103, 303 and 304
<b>Safety:</b>	EN 61347-2-11
<b>Environment:</b>	Complies with WEEE and RoHS directives.

## Order code

<b>325GD2</b>	Multisensor High Bay DALI-2 R60, Grey
<b>5696G</b>	R60 Sensor Holder Batten Mount