

# 16xxx Control Panels

The 16xxx Series is a range of DALI-compatible button panels that allow control of the lighting system.

The buttons have LEDs indicating the selected scene. Each module is fitted with an infrared receiver that gives the option of remote operation using DIGIDIM hand-held remote control.

The 16xxx control panels are fully programmable in Helvar's Designer or Toolbox software.

## Key Features

- Range of switch combinations, including customisable versions
- LED brightness programmable
- DIGIDIM/DALI
- Suited for UK back box only

## Fascia Options

- 16xAB: Antique bronze
- 16xBN: Black nickel
- 16xMS: Mirrored stainless
- 16xPB: Polished brass
- 16xPN: Polished nickel
- 16xSS: Stainless steel
- 16xWH: Painted white

## Customisable Versions

Both the button layout of the panels and the images or labels that are printed on each button can be customised:

- Any button layout can be specified to a maximum of two columns of five buttons.
- The image or labels printed on the buttons can be chosen from the gallery shown on the next page.
- Other images or labels to meet individual tastes or themes can be tailored upon request.



161xx: On / Off



164xx: 4 Scenes + Off



165xx: 4 Scenes + Off + Up / Down



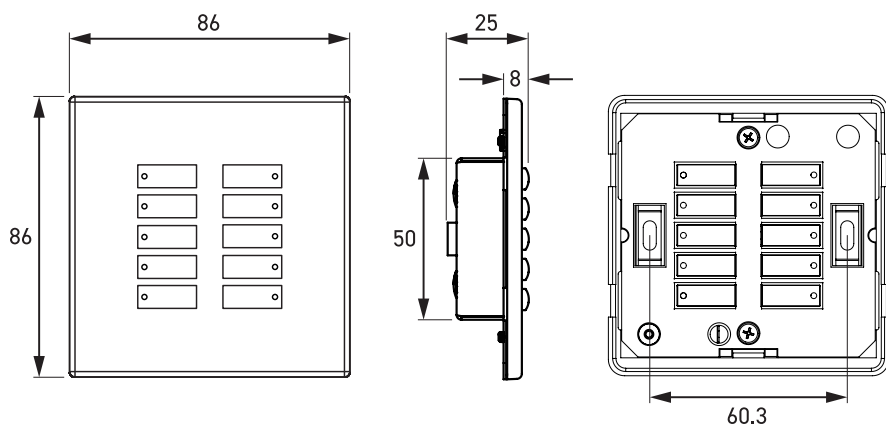
166xx: 7 Scenes + Off + Up / Down



169xx: 9 Scenes + Off



## Dimensions (mm)



## Technical Data


Connections	
DALI:	2-pole connector block, rising clamp terminals, captive screw Wire section: 0.5 mm <sup>2</sup> – 2.5 mm <sup>2</sup> Recommended: 1 mm <sup>2</sup> – 1.5 mm <sup>2</sup> Max. length: 300 m @ 1.5 mm <sup>2</sup>
Cable rating:	All cables must be mains rated.

Electrical data	
DALI supply input:	13 V – 22.5 V
DALI consumption:	10 mA

Operation	
IR frequency:	36 kHz

Operating and storage conditions	
Ambient temperature:	0 °C to +40 °C
Relative humidity:	Max. 90 %, noncondensing
Storage temperature:	-10 °C to +70 °C

Mechanical data	
Dimensions:	86 mm × 86 mm × 25 mm
Housing:	Buttons: black plastic Fascia: metal
Weight:	150 g
Mounting:	Mount to back box
IP rating:	IP30

Conformity and standards	
Conformity:	
EMC emission:	EN 55015
EMC immunity:	EN 61547
Safety:	EN 61347-2-11
DALI:	IEC 62386
Environment:	Complies with WEEE and RoHS directives.

Software compatibility	
Designer:	4.2.18 or higher
Toolbox:	2.3.3 or higher