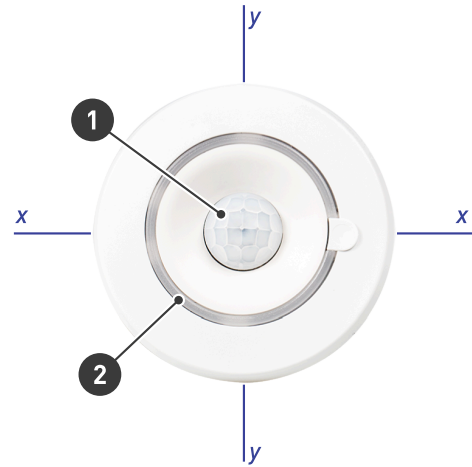


320D2, 320BD2, 320PD2, 320PBD2 PIR Sensor

The PIR Sensor is a compact presence detector and DALI-2 certified input device. It can turn the lights on when its coverage area is occupied, and off when it is unoccupied. The sensor's settings are adjusted using Helvar's Designer Software.

Due to its excellent detection performance, the PIR Sensor is especially suitable for applications where small or slow movements take place for extended periods of time, such as offices or classrooms. Since its detection sensitivity is less dependent on movement direction than that of most PIR sensors, fewer units are required to reliably cover a target area.

The unit can be mounted into a ceiling void or onto a solid surface using Helvar's SBB-C (white) or SBB-CB (black) mounting box (sold separately).

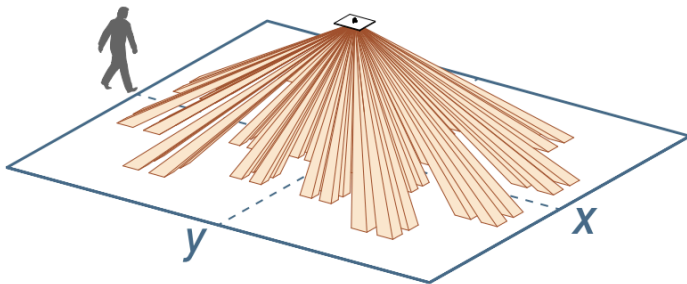


- 1. PIR sensor
- 2. Status LED

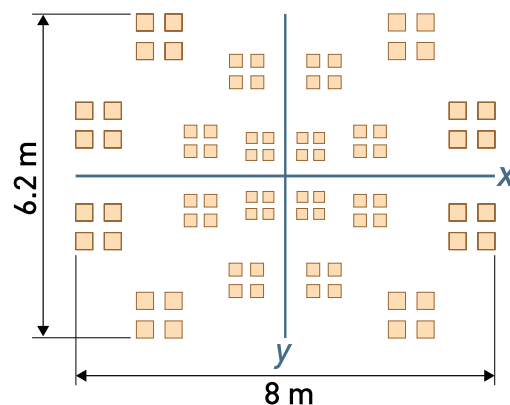
Key Features

- Excellent detection performance through high sensitivity and multidirectional coverage
- 10 mA DALI current consumption
- Compact and functional design
- Programmable in Designer
- DALI-2 certified input device

Detection

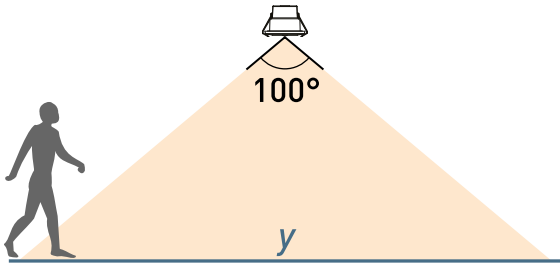


Detection pattern

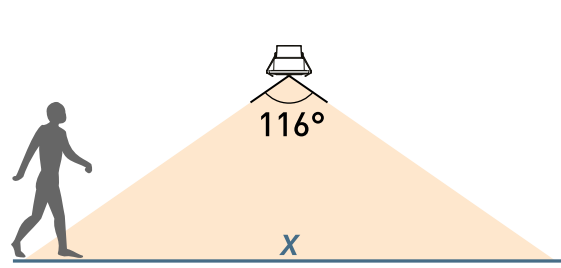


Detection Pattern at floor level for 2.5 m mounting height

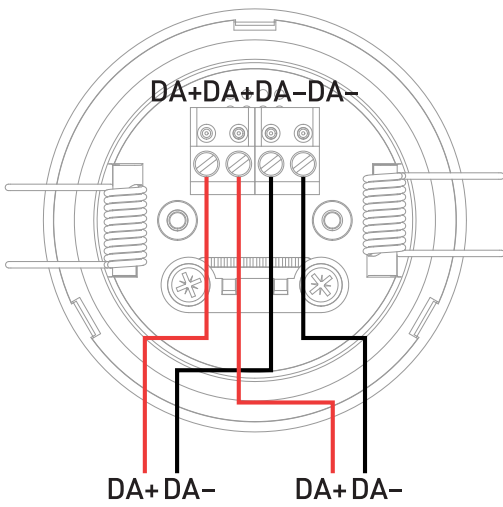
Y-axis coverage



X-axis coverage

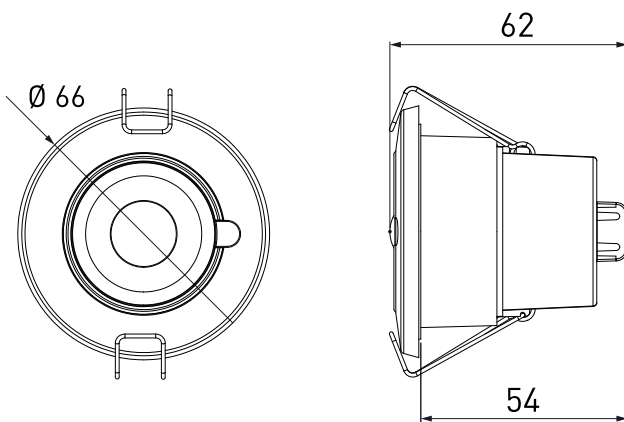


Connections

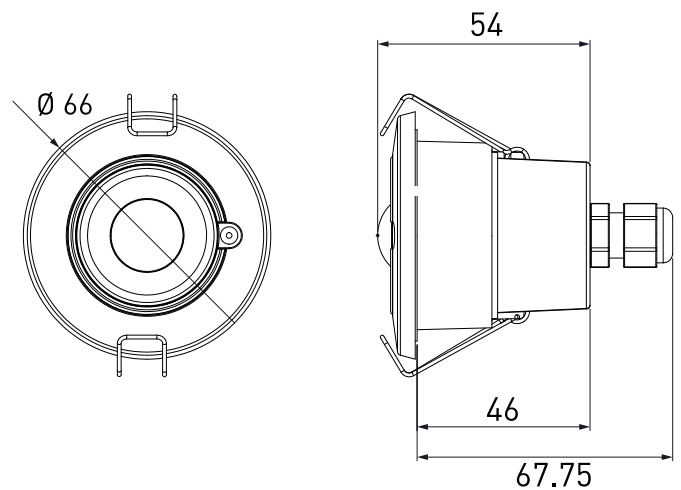


Dimensions (mm)

320D2, 320BD2



320PD2, 320BPD2



Technical Data

Connections

| | |
|---------------|--|
| DALI: | Removable connector block Wire section: 0.5–1.5 mm ² , solid or stranded. |
| Cable rating: | All cables must be mains rated. |

Electrical Data

| | |
|--------------------|-----------|
| DALI supply input: | 12–22.5 V |
| DALI consumption: | 10 mA Max |

Sensors

| | |
|--------------------|------------------------|
| Presence detector: | Passive infrared (PIR) |
|--------------------|------------------------|

Operation

| | |
|----------------|--------|
| Start-up time: | ≤1 sec |
|----------------|--------|

Operating and storage conditions

| | |
|----------------------|--------------------------|
| Ambient temperature: | 0 °C to +50 °C |
| Relative humidity: | Max. 90 %, noncondensing |
| Storage temperature: | -10 °C to +70 °C |


Mechanical data

| | |
|-----------------------------------|---|
| Recommended mounting height: | Max. 4 m |
| Presence detection coverage area: | 49.6 m ² @ 2.5 m mounting height |
| Mounting hole diameter: | 51 mm +/- 1 mm |

Note: If replacing an older sensor, 52–55 mm mounting hole is acceptable.

| | |
|------------------------------|---|
| Ceiling thickness: | Maximum 25 mm |
| Bezel diameter: | 66 mm |
| Recommended clearance depth: | 10 cm (with cable cover, including 5 cm for cabling) |
| Dimensions: | 320D2, 320BD2: 66 x 62 mm 320PD2, 320PBD2: 66 x 67.75 mm |
| Material (casing): | Flame retardant PC/ABS |
| Finish/Colour: | 320D2, 320PD2: Semi-matt / White RAL 9003 320BD2 320PBD2: Semi-matt / Anthracite grey RAL 7016 |
| Weight: | 66.3 g |
| IP rating: | 320D2, 320BD2: IP30 [IP20 cable cover] 320PD2, 320PBD2: IP65 |

Conformity and standards

| | |
|---------------|---|
| Conformity: |  |
| EMC emission: | EN 55015 |
| EMC immunity: | EN 61547 |
| DALI: | IEC 62386, Parts 101, 103 and 301 |
| Safety: | EN 61347-2-11 |
| Environment: | Complies with WEEE and RoHS directives. |

Compatibility

| | |
|-----------|----------------|
| Router: | 950 |
| Designer: | 5.8.2 or later |