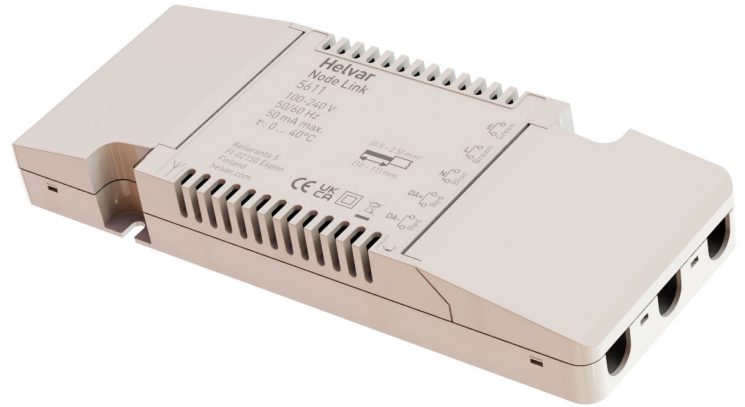


The Node Link offers a link between the truly intelligent wireless lighting solution Helvar ActiveAhead® and the wired DALI based lighting management system Helvar Imagine. The Node Link allows to choose which ActiveAhead groups are made visible on the Imagine system. Also, the whole nearby ActiveAhead mesh network can be linked on to the Imagine system.

The solution optimizes the communication between the systems and minimizes the number of required DALI addresses on the Imagine system. No additional devices are needed to link the systems making the process simple to design, install and setup.

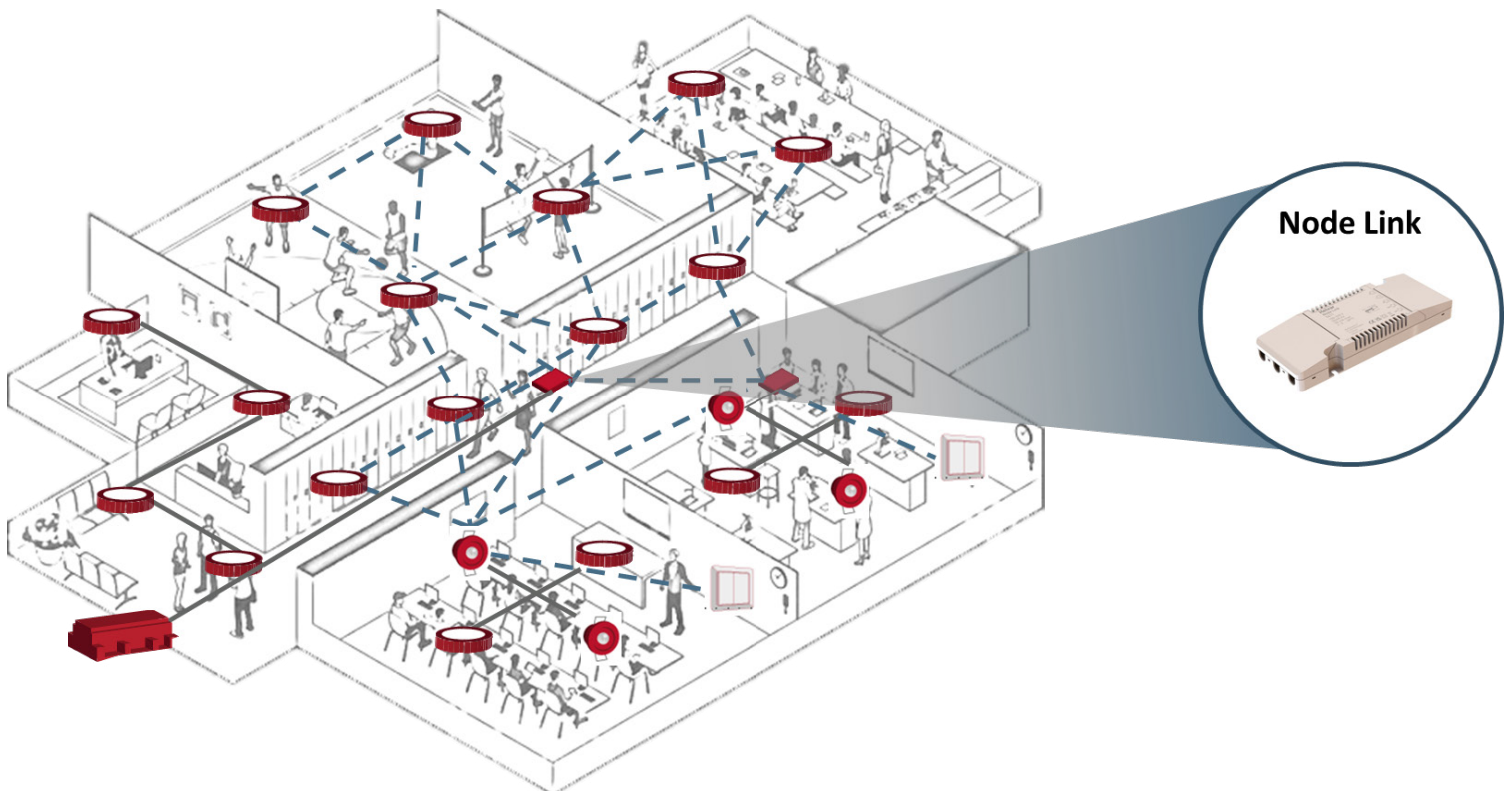
Up-to seven control and seven sensor links can be created allowing numerous use cases from event based control to activating ActiveAhead groups and using corridor hold.



## Key Features

- Enables a hybrid lighting solution with ActiveAhead and Imagine solutions
- Get occupancy data from ActiveAhead to the Imagine solution
- Control ActiveAhead solution from the Imagine solution
- Easy to install and setup

## Installation Example



# Technical Data



## Links

- Control link on DALI system: DALI Part 102-209: DT8 Colour control LED lamp
- Sensor link on DALI system: DALI Part 103-303: Occupancy sensor
- Number of links: Max. 7 links per link type

## Connections

- Doubled terminals for looping the mains and DALI cables
- Mains: 3 x 2-pole push-fit terminals Wire section: 0.5 mm<sup>2</sup> - 2.5 mm<sup>2</sup> solid or stranded
- DALI: 2 x 2-pole push-fit terminals Wire section: 0.5 mm<sup>2</sup> - 2.5 mm<sup>2</sup> solid or stranded

## Electrical data

- Input voltage: 100 VAC - 240 VAC
- Input frequency: 50 Hz / 60 Hz
- Input current: Max. 50 mA
- Input power: Max. 1 W
- DALI consumption: 2 mA Max

## Wireless Connectivity

- Frequency: 2.4 GHz
- Transmission power: 0 dBm
- Technology: Bluetooth Mesh
- Antenna pattern: Omnidirectional
- Max. distance to closest ActiveAhead Node: 10 m
- Max. distance to furthest linked ActiveAhead Node on the mesh network: 30 m

## Operating and storage conditions

- Operating temperature: 0 °C to +40 °C
- Relative humidity: Max. 85 %, noncondensing
- Storage temperature: -20 °C to +70 °C

## Mechanical data

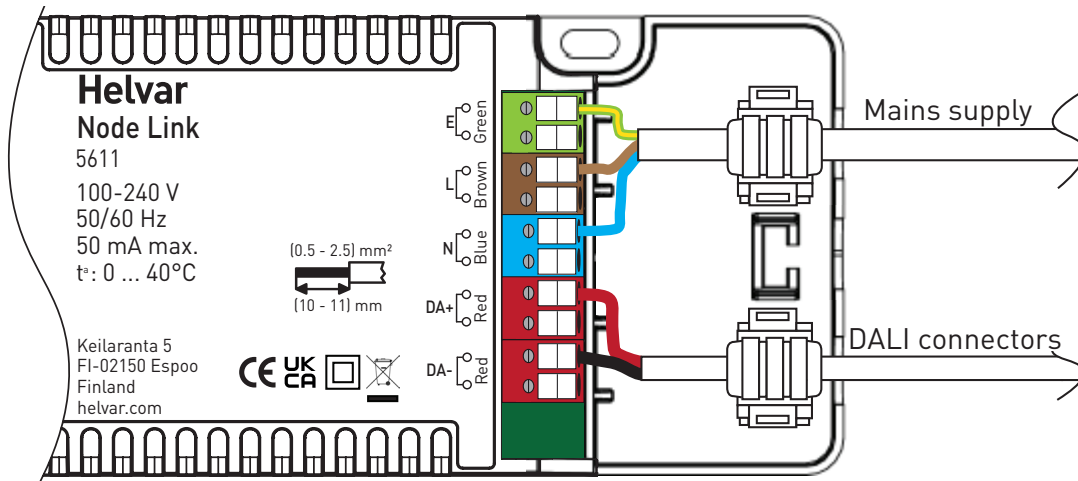
- Dimensions (mm): (W) 208 x (H) 79 x (D) 30
- Material (casing): Flame retardant Polycarbonate
- Colour: White (RAL 9016)
- Weight: 182 g

## Conformity and standards

- Conformity:
- EMC emission: EN 55015
- EMC immunity: EN 61547
- Safety: EN 61347-2-11
- RED: EN 301 489-1, EN 301 489-17, EN 300 328
- Isolation mains to DALI: Basic isolation (250 V)
- Environment: Complies with WEEE and RoHS directive

## Connections

*Note: Doors of the unit have been removed from this illustration*



## Dimensions (mm)

