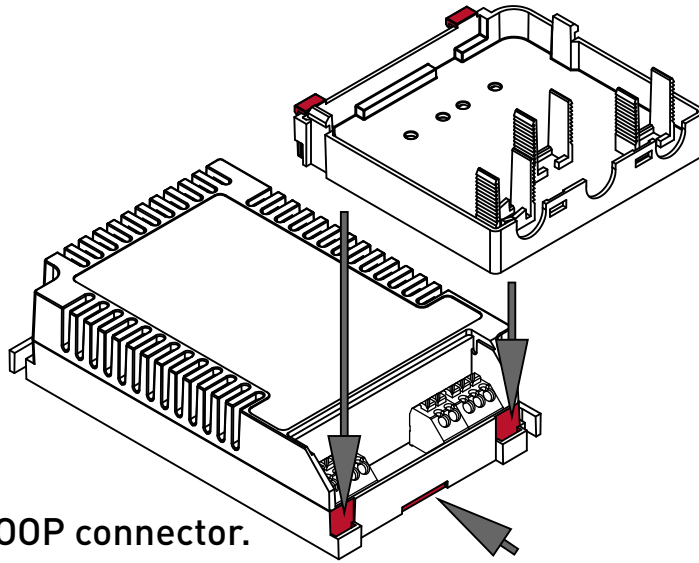


LC-SRB-LOOP Strain Relief Installation Guide

freedom in lighting

1. Lock the bottom part to the driver so that it clicks into place.

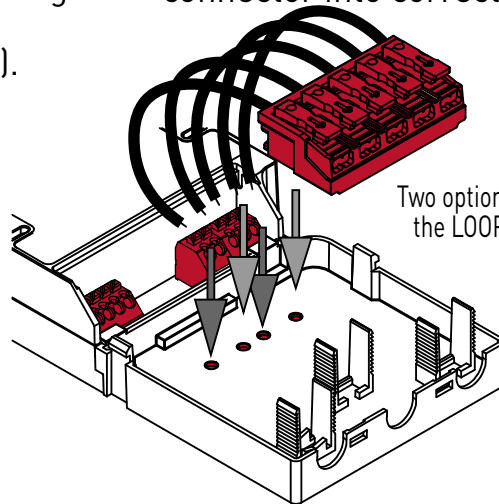
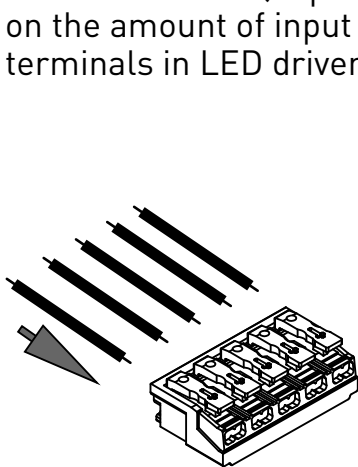


2. Connect the LOOP connector.

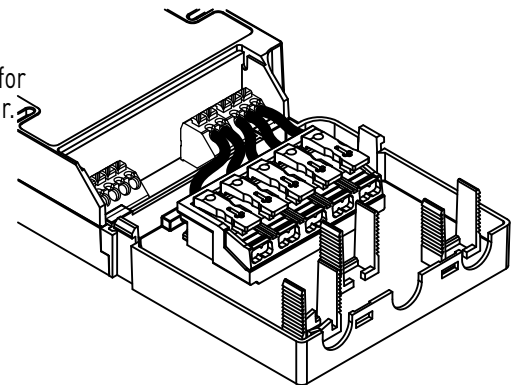
I. Connect short wires into LOOP connector (depending on the amount of input terminals in LED driver).

II. Connect short wires from LOOP connector into correct terminals.

III. Lock the connector firmly into place.



Two optional places for the LOOP connector.

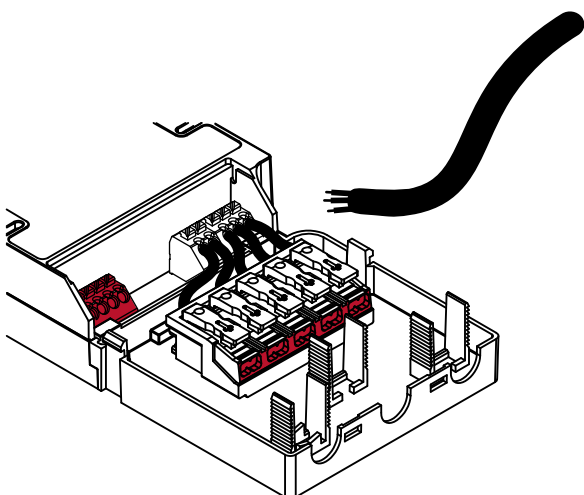


3. Connect wires into correct terminals according to driver datasheet instructions, both into LOOP connector and into LED load connector.

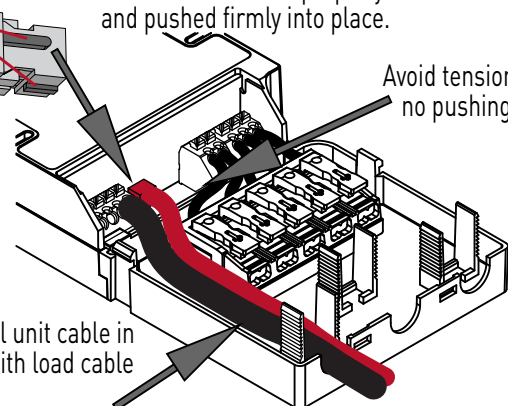
NOTE for Active+ drivers

Ensure that the connector is properly inserted and pushed firmly into place.

Avoid tension to the connector, no pushing or pulling force.



Sensor / Control unit cable in the same slot with load cable

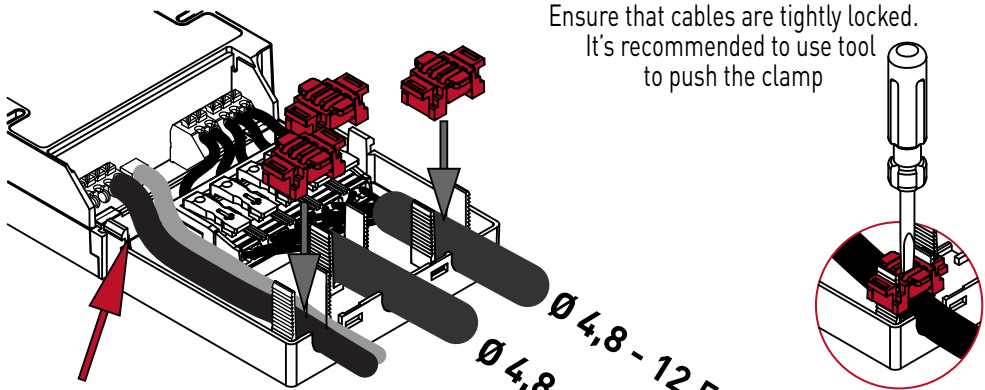


Continues on the next page 

Strain Relief Installation Guide

freedom in lighting

4. Lock wires with the cable clamps.

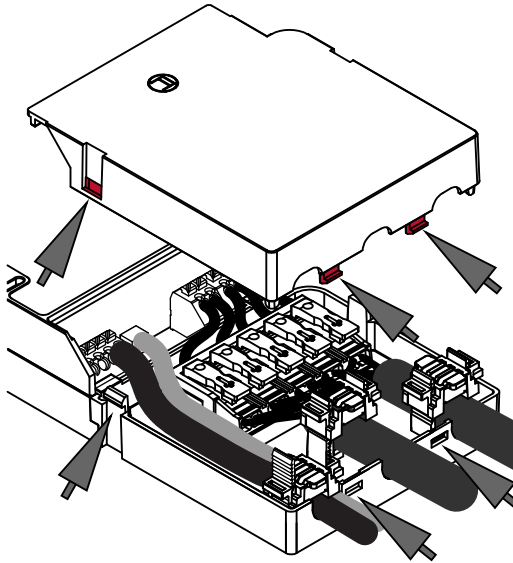


Ensure that cables are tightly locked.
It's recommended to use tool to push the clamp

Check connections once more after locking the clamps!

$\varnothing 4,8 - 12,5 \text{ mm}$
 $\varnothing 4,8 - 12,5 \text{ mm}$
 $\varnothing 3 - 10 \text{ mm}$

5. Lock the cover on the bottom part.



Pay attention that the cover clicks into place properly!

